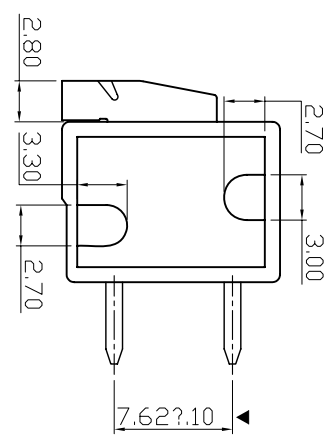
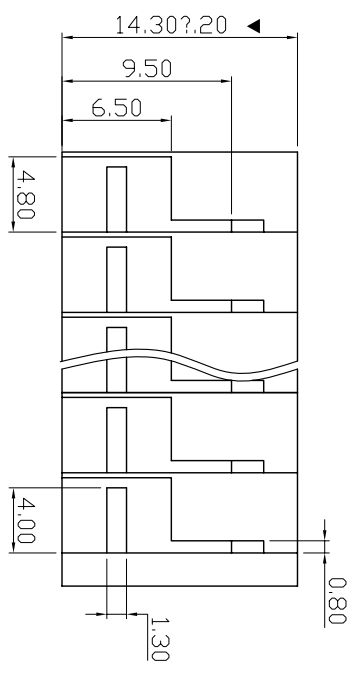
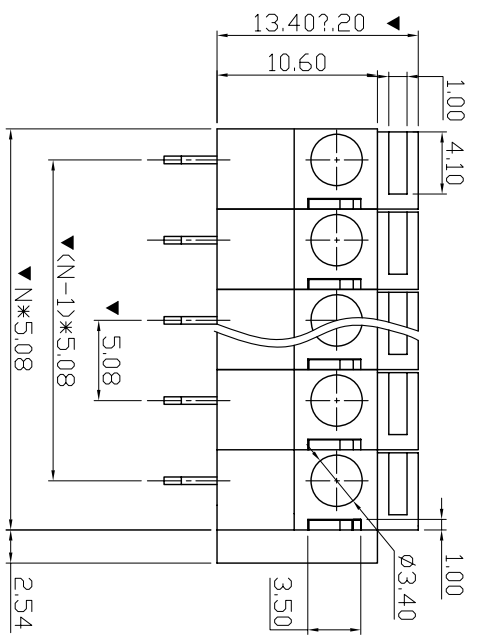


REV.	DESCRIPTION	DRAWN	CHECKED	APPROVED
A	NEW RELEASE	TYF 06/04/08'	谭玉芬	

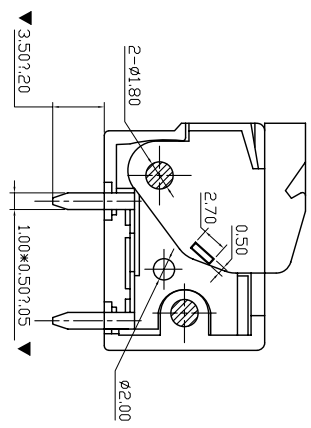
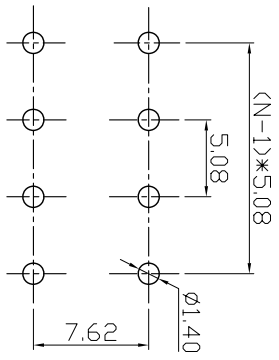


STRAIGHT TYPE



N=NUMBER OF CONTACTS

P.C.B.LAYOUT



SECTION A-A

- MATERIAL
PIN HEADER : BRASS, TIN PLATED
HOUSING : PA66, UL94V-0
- ELECTRICAL
RATED VOLTAGE : 250V
RATED CURRENT : 10A
CONTACT RESISTANCE : 20mΩ
INSULATION RESISTANCE : 5000MΩ/1000V
WITHSTANDING VOLTAGE : AC1500V/1Min
WIRE RANGE : 20-14AWG 1.5mm²
- MECHANICAL
TEMP.RANGE : -40°C~+120°C
MAX SOLDERING : +250°C, FOR 5 SEC.
STRUO LEBGTTG : 9-10mm

PRODUCT NUMBER CODE:
KF142R- X P 6 G R

- CONTACTS TYPE
- R:RIGHT ANGLE TYPE
- HOUSING COLOR
- B:BLACK G:GREEN
- L:BLUE R:RED
- CONTACT PLATING
- 0:GOLD FLASH
- 3:30u" 6:TIN
- CONNECTOR TYPE
- P:PLUG S:SOCKET
- No.OF CONTACTS
- 02 03 08 16

GENERAL TOLERANCE	ANGLE TOLERANCE	±2°
X. ±0.20	X. X.	±1°
.X ±0.15	.XX .XX	±0.5°
.XX ±0.10		

DRAWING TYPE	COMPONENTS
SCALE	1:1 SHEET 1 OF 1
DRAWING NO.	KF142R-XP6GR

PROJECTION	TITLE
UNITS mm	PLUGGABLE TERMINAL BLOCKS
SHEET SIZE A4	PITCH5.08/7.5/7.62MM
SERIES	KF142R SERIES

DF 慈溪市凯峰电子有限公司
KAIFENG ELECTRONIC CO.,LTD

RECOMMEND PCB LAYOUT(TOLERANCE=±0.05)