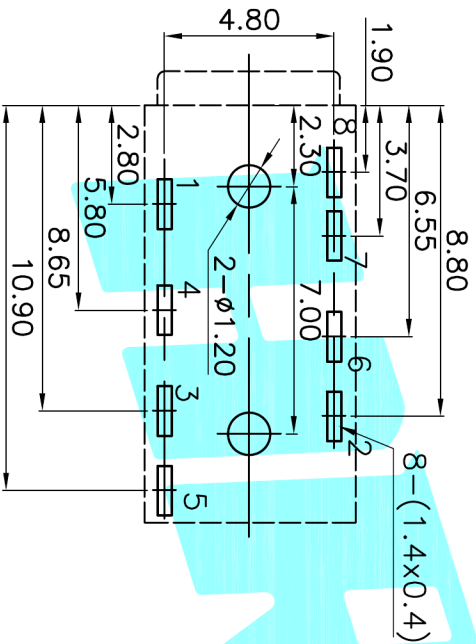


P.C.B LAYOUT(copper-sided view)



Rating:0.5A 30V DC
 Contact Resistance:100 mΩ Max.
 Operating temperature:-20℃~70℃
 Operating force:3-20N
 Operating Life:5,000cycles

Model No.	PJ-3930-A	PJ-3930-B	PJ-3930-C	PJ-3930-D	PJ-3930-E
PJ-3930-A	PJ-3930-B	PJ-3930-C	PJ-3930-D	PJ-3930-E	PJ-3930-E
PJ-3930-F	PJ-3930-G	PJ-3930-H	PJ-3930-I	PJ-3930-G	PJ-3930-G
PJ-3930-K	PJ-3930-L	PJ-3930-M	PJ-3930-N		
Schematic					

ECN NO.	REV.	DATE.	DESCRIPTION.	CHANGE.	CHECK.	APPRO.																																																																														
	A		NEW																																																																																	
<table border="1"> <tr> <td>② Terminal</td> <td>8</td> <td>Phosphor bronze</td> <td>Au Plating</td> </tr> <tr> <td>① Housing</td> <td>1</td> <td>Nylon</td> <td>Black</td> </tr> <tr> <td>ITEM</td> <td>PART NAME</td> <td>TER.NO.</td> <td>QTY.</td> <td>MATERIAL</td> <td>FINISHING</td> <td>REMARK</td> </tr> <tr> <td colspan="2">APPROVALS</td> <td colspan="2">DATE</td> <td colspan="3"></td> </tr> <tr> <td>DRAWN</td> <td>J.X.Zhang</td> <td colspan="2">2013/11/11</td> <td colspan="3">TITLE: PHONE JACKES</td> </tr> <tr> <td>CHECKED</td> <td></td> <td colspan="2"></td> <td colspan="3">PART NO. PJ-3930</td> </tr> <tr> <td colspan="4">APPROVALS</td> <td colspan="3">SCALE: 1:1</td> </tr> <tr> <td colspan="4">TOLERANCES ARE</td> <td colspan="3">DRAWING NO.</td> </tr> <tr> <td>30±0.1</td> <td>±0.30</td> <td>ANGLE</td> <td>UNIT: mm</td> <td colspan="3">PROJ. SHEET 1 OF 1</td> </tr> <tr> <td>10~30</td> <td>±0.20</td> <td></td> <td>SCALE: 1:1</td> <td colspan="3"></td> </tr> <tr> <td>5~10</td> <td>±0.15</td> <td>±2'</td> <td></td> <td colspan="3"></td> </tr> <tr> <td>~5</td> <td>±0.10</td> <td></td> <td></td> <td colspan="3"></td> </tr> </table>							② Terminal	8	Phosphor bronze	Au Plating	① Housing	1	Nylon	Black	ITEM	PART NAME	TER.NO.	QTY.	MATERIAL	FINISHING	REMARK	APPROVALS		DATE					DRAWN	J.X.Zhang	2013/11/11		TITLE: PHONE JACKES			CHECKED				PART NO. PJ-3930			APPROVALS				SCALE: 1:1			TOLERANCES ARE				DRAWING NO.			30±0.1	±0.30	ANGLE	UNIT: mm	PROJ. SHEET 1 OF 1			10~30	±0.20		SCALE: 1:1				5~10	±0.15	±2'					~5	±0.10					
② Terminal	8	Phosphor bronze	Au Plating																																																																																	
① Housing	1	Nylon	Black																																																																																	
ITEM	PART NAME	TER.NO.	QTY.	MATERIAL	FINISHING	REMARK																																																																														
APPROVALS		DATE																																																																																		
DRAWN	J.X.Zhang	2013/11/11		TITLE: PHONE JACKES																																																																																
CHECKED				PART NO. PJ-3930																																																																																
APPROVALS				SCALE: 1:1																																																																																
TOLERANCES ARE				DRAWING NO.																																																																																
30±0.1	±0.30	ANGLE	UNIT: mm	PROJ. SHEET 1 OF 1																																																																																
10~30	±0.20		SCALE: 1:1																																																																																	
5~10	±0.15	±2'																																																																																		
~5	±0.10																																																																																			
 ELECTRONICS CO.,LTD																																																																																				