

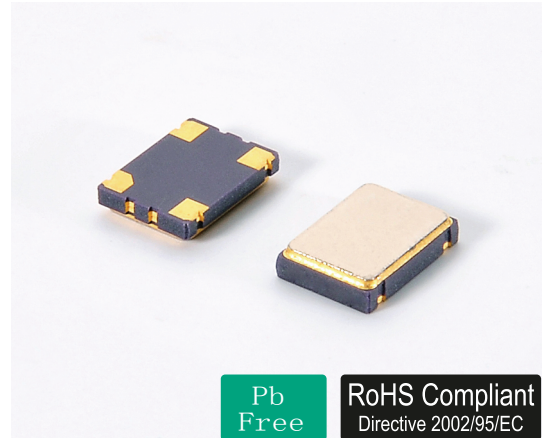
5x7 SMD OSCILLATOR(HCOMS/TTL)

FEATURE

- CMOS compatible logic levels.
- Pin-compatible with standard 7.0×5.0mm packages.
- High precision characteristic covering up to high frequency range.
- Low jitter and tight stability with fundamental or overtone Design.
- Low power standby mode.
- Output Tri-state function.
- Embossed taping specification.
- Reflow soldering.
- Pb-free and RoHS/Green compliant.

APPLICATIONS

- Ideally suited designed for discdrives, NB, Networking, GPS/Navigation, Bluetooth, Ethernet, ADSL, VDSL, Fiber channel hand-held electronic products.



Pb Free

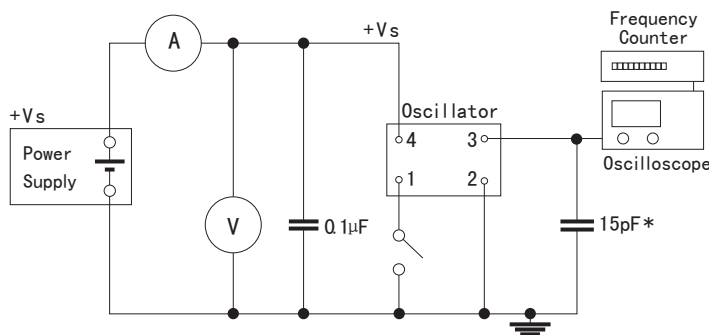
RoHS Compliant
Directive 2002/95/EC

Electrical Specifications 电气参数

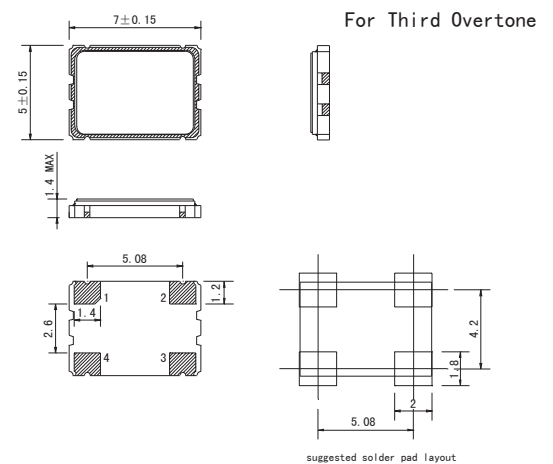
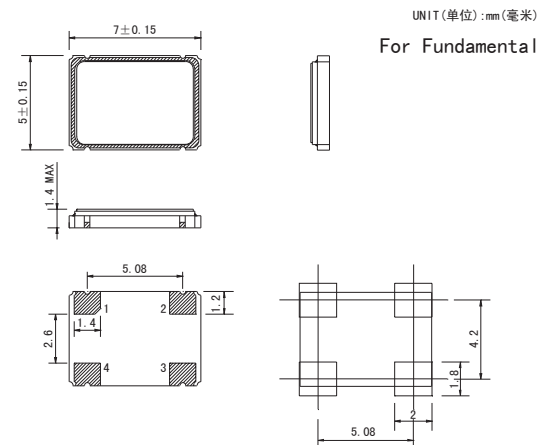
| 型号 | Holder Type | 5x7mm SMD OSCILLATOR |
|---------|-----------------------------------------------------------|-------------------------------------|
| 频率范围 | Frequency Range | 32.768KHz, 1.000 Mhz to 150.000 MHz |
| 总频差 | Frequency Stability | ±20ppm to ±50ppm |
| 输入电压 | Supply Voltage | 5.0V or 3.3V ±10% ※(See Notes) |
| 工作温度范围 | Operating Temperature Range | -20°C - +70°C / -40°C - +85°C |
| 储存温度范围 | Storage Temperature Range | -40°C - +85°C/-55°C - +125°C |
| 占空比 | Symmetry (Duty Cycle) | 40/60 Standard |
| 输出 | Output Load | 15pF Hcoms |
| 消耗电流 | Current Consumption (15pf only) (5.0V) | 1.000Mhz - 35.999Mhz=25mA max |
| | | 36.000Mhz - 69.999Mhz=60mA max |
| | Current Consumption (15pf only) (1.8V 2.5V 2.85V 3.3V) | 70.000Mhz - 150.000Mhz=80mA max |
| | | 1.000Mhz - 35.999Mhz=20mA max |
| | | 36.000Mhz - 69.999Mhz=40mA max |
| | | 70.000Mhz - 150.000Mhz=60mA max |
| 上升/下降时间 | Rise/Fall Time | 5 nS max |

※Notes:The supply voltage 1.8V, 2.5V, 2.85V also can be made by customer.

Test Circuit(测试电路)



Mechanical Dimensions 外型尺寸



| PIN | FUNCTION |
|-----|------------------|
| 1 | N/C or Tri-state |
| 2 | Ground |
| 3 | Output |
| 4 | Vdd |