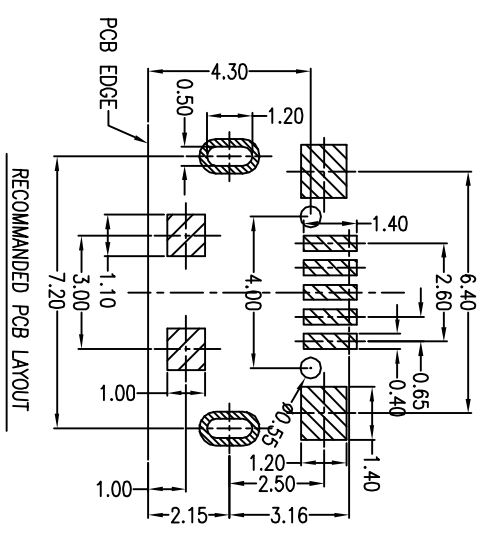
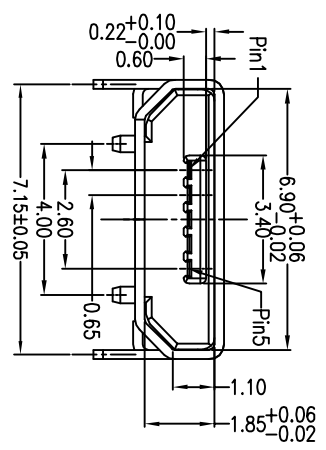
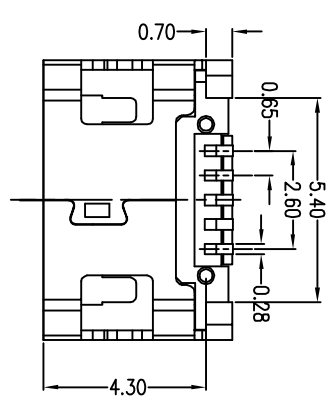
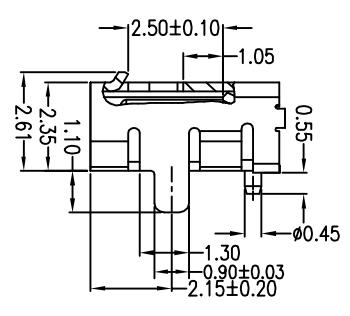
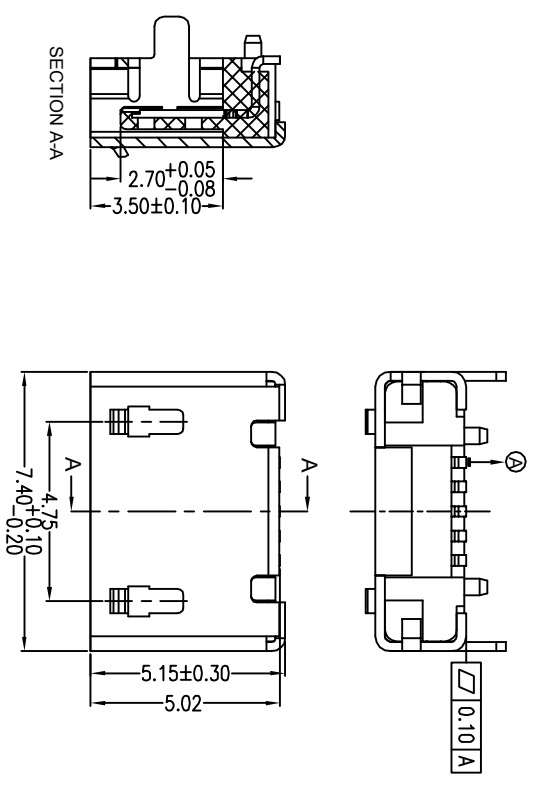


REV.	ECH NO	LOCATIONS	DESCRIPTION	DATE



- Note:
- Material:
 - Housing: High temperature thermoplastic with g.f, UL94V-0
 - Contact: copper alloy, t=0.20mm
 - Shell: copper alloy, t=0.25mm
 - Specification:
 - Current rating: 1 A Max. voltage: 100 V(ac) for 1 min.
 - Dielectric withstanding
 - Contact resistance: 50 mW Max.
 - Insulation resistance: 100 MW Min.
 - Total mating force: 3.57 Kgf Max.
 - Total unmating force: 1.0 Kgf Min. 0.81~2.05 Kgf Min. after 10000 insertion/extraction cycles
 - Temperature range: -30°C~80°C

PART NO: AO1SBXXXXXXXXX1-046		MATERIAL: SEE NOTE	
MODEL NO: XX		FINSH: SEE NOTE	
UNIT: MM	SIZE: A4	COLOR: SEE NOTE	
TOLERANCE UNSPECIFIED		DR: 夏友红	
.x	0.25	CHK:	
.xx	0.20	APP:	
.xxx	0.15	SCALE: 5:1	
Ang.	2°	DATE: 2012.05.21	
TITLE: Micro usb 5P/F B Type SMT DIP7.2 有柱无导电 (外壳加焊盘) 图长1.1		REV: A	
DWG NO: A046		SCALE: 5:1	
DATE: 2012.05.21		DATE: 2012.05.21	

深圳市精拓金电子有限公司

