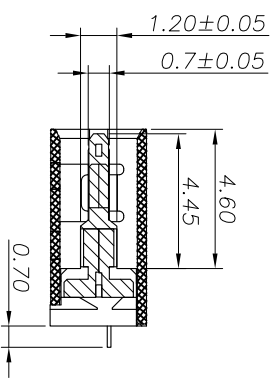
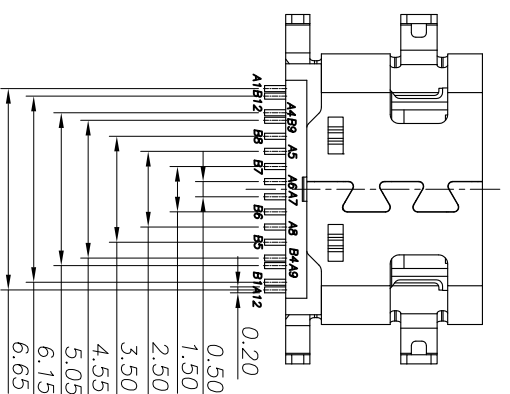
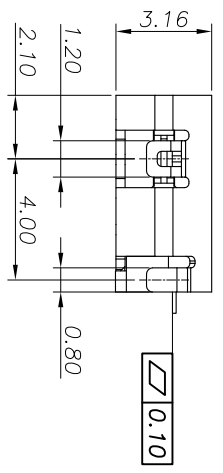
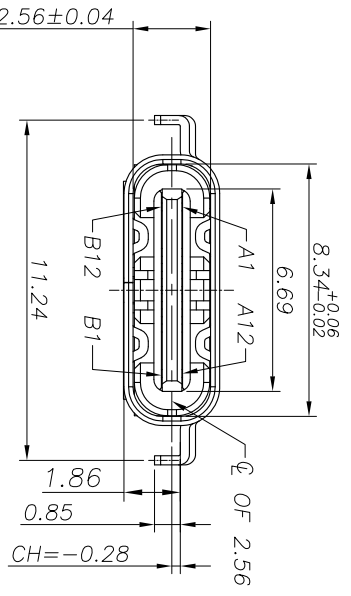
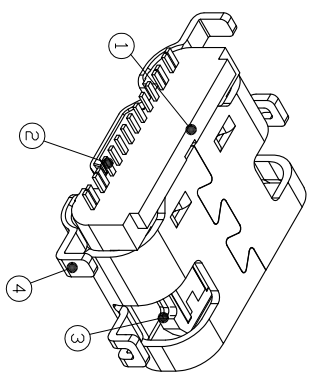
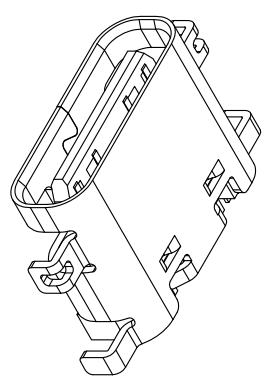
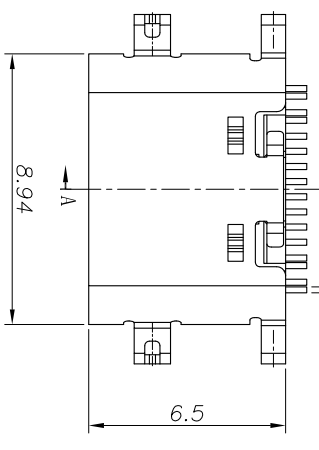


ROHS

0.20±0.05(16X)



SECTION:A-A

NOTE:

- 1.MATERIAL SPECIFICATION:
 - 1.HOUSING:HIGH TEMPERATURE RESISTANT PLASTIC,U.L94 V-0.
 - 2.CONTACTS: COPPER ALLOY
 - 3.MID PLATE: STAINLESS STEEL
 - 4.FRONT SHELL: STAINLESS STEEL
- 2.PLATING SPECIFICATION:
 - 2-1.CONTACTS: NI 50u" MIN. UNDER PLATED OVER ALL. AU PLATED ON THE FUNCTIONAL AREA OF CONTACT. (GOLD PLATING THICKNESS FOLLOW THE P/N)
 - 2-2.FRONT SHELL: NI 30u" MIN. UNDER PLATED OVER ALL.
- 2-3.MID PLATE: CLEAR ONLY
- 3.MECHANICAL PERFORMANCE,
 - 3-1.INSERTION FORCE: 0.5~2.0kgf.
 - 3-2.REMOVAL FORCE: 0.8kgf~2.0kgf.
 - 3-3.DURABILITY: 10000 CYCLES.
- 4.ELECTRICAL PERFORMANCE,
 - 4-1. CURRENT RATING:3.0A VOLTAGE RATING:5.0V
 - 4-2. LCCR: VBUS & GND PINS AND OTHER PINS: 40mA/PIN MAX. SHIELD: 50mA/MAX. LCCR MAX. CHANGE OF ALL PINS: 10mA.
 - 4-3.INSULATION RESISTANCE: 100MΩ MIN
 - 4-4.DIELECTRIC WITHSTAND VOLTAGE,AC 100V FOR 1 MINUTE.
5. ENVIRONMENTAL PERFORMANCE:
 - OPERATING TEMPERATURE: -25°C~+85°C.
 - 6.IR REFLOW: THE PEAK TEMPERATURE ON THE BOARD SHALL BE MAINTAINED FOR 10 SECONDS AT 260°C.

产品图
PRODUCT CHART DWG

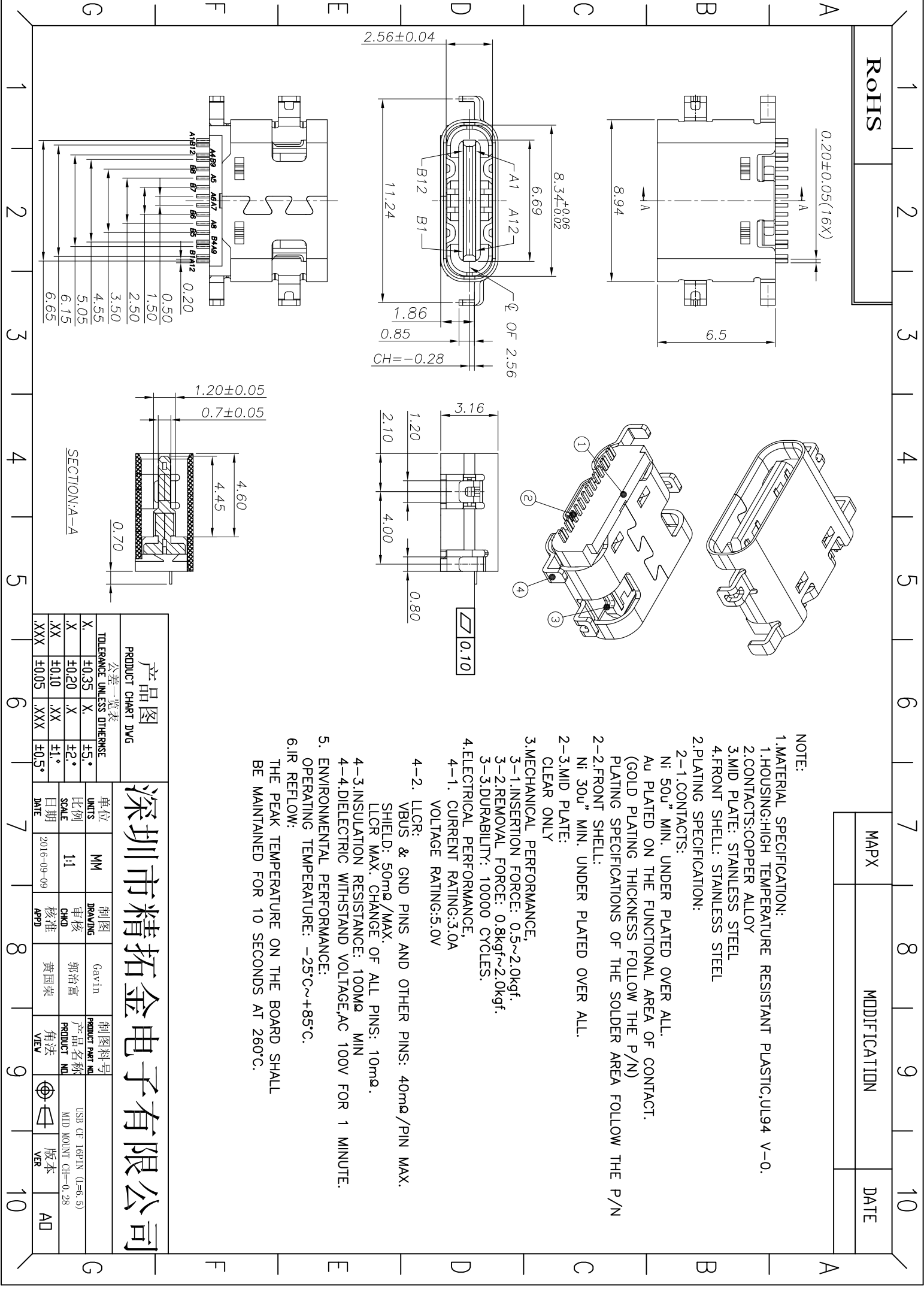
深圳市精拓金电子有限公司

公差一览表		制图		制图料号	
TOLERANCE	UNLESS OTHERWISE	UNIT	DRAWING	PRODUCT PART NO.	PRODUCT NAME
X	±0.35	X	审核	Gavin	USB CF 16PIN (I=6, 5)
X	±0.20	X	审核	郭治富	MID MOUNT CH=-0.28
.XX	±0.10	.XX	核准	黄国荣	
.XXX	±0.05	.XXX	核准		
			日期	DATE	版本
			2016-09-09		AD

MAPX

MODIFICATION

DATE

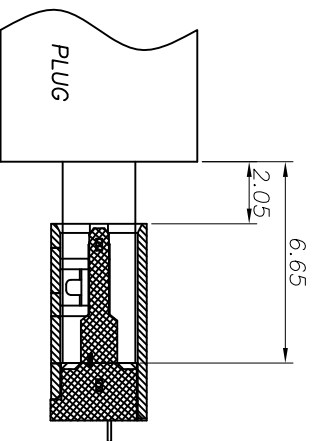


1 ROHS

7 MAPX

8 MODIFICATION

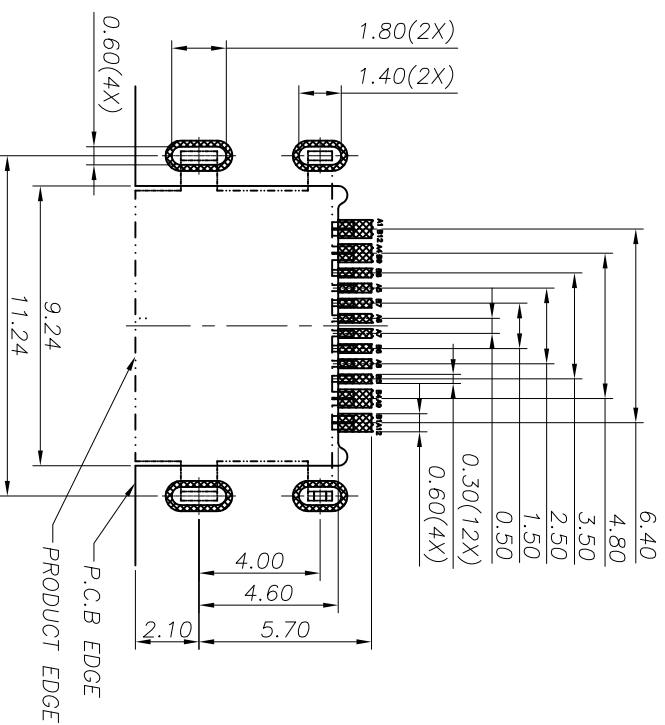
10 DATE



AFTER MATING

USB TYPE-C PIN ASSIGNMENTS

PIN NUMBER	SIGNAL NAME	PIN NUMBER	SIGNAL NAME
A1	GND	B12	GND
A4	VBUS	B9	VBUS
A5	CC1	B8	SBU2
A6	Dp1	B7	Dn2
A7	Dn1	B6	Dp2
A8	SBU1	B5	CC2
A9	VBUS	B4	VBUS
A12	GND	B1	GND



RECOMMENDED PCB LAYOUT(TOP VIEW)
THICKNESS 0.80MM;DEFAULT TOLERANCE:±0.05

产品图
PRODUCT CHART DWG

深圳市精拓金电子有限公司

公差一览表		单位	制图	制料号
TOLERANCE UNLESS OTHERWISE	UNITS	MM	DRAWING	PRODUCT PART NO.
X ±0.35	X	±5°	审核 Gavin	USB CF 16PIN (I=6.5)
X ±0.20	X	±2°	审核 郭治雷	MID MOUNT CI=0.28
XX ±0.10	XX	±1°	核准 黄国荣	
XXX ±0.05	.XXX	±0.5°	DATE 2016-09-09	版本 AD

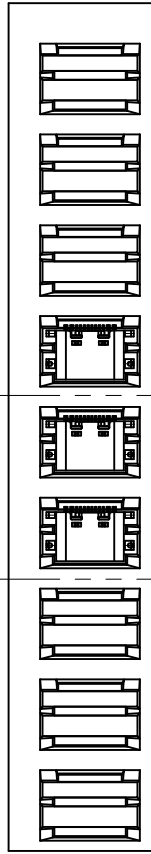
A B C D E F G

A B C D E F G

1 2 3 4 5 6 7 8 9 10

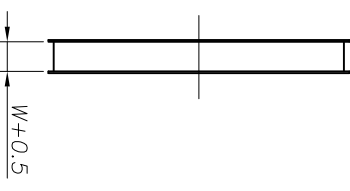
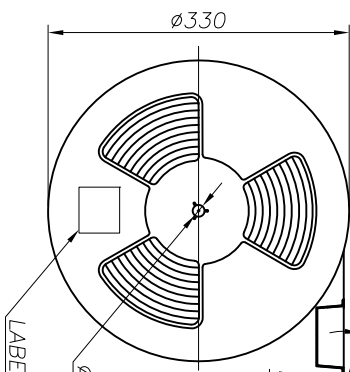
ROHS

REEL OFF SECTION
(16 POCKETS) 1400PCS
PULL OUT DIRECTION
(16 POCKETS)



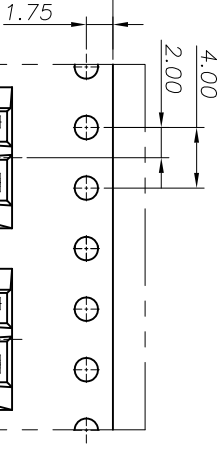
PEELING DIRECTION
165°~180°
PEELING ANGLE

PULL OUT DIRECTION

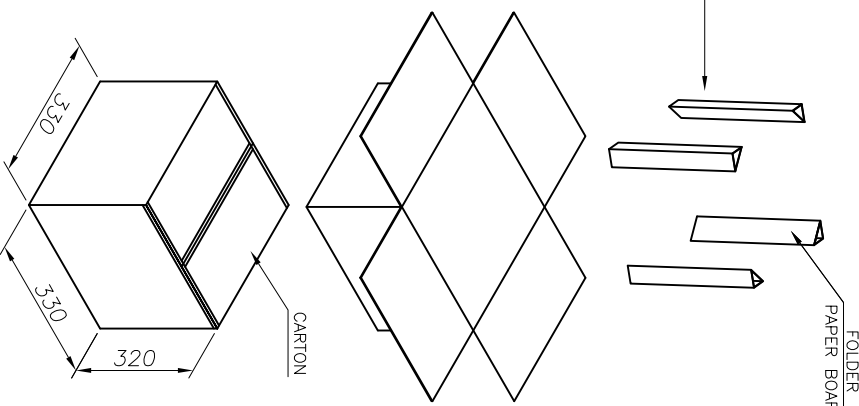
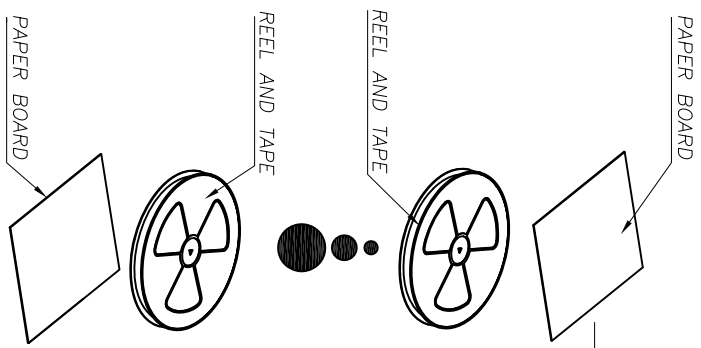


REEL OFF DIRECTION

W=24.0



PULL OUT DIRECTION



产品图
PRODUCT CHART DWG
公差一覽表
TOLERANCE UNLESS OTHERWISE

深圳市精拓金电子有限公司

TOLERANCE UNLESS OTHERWISE	公差一覽表	单位	MM	制图	Gavin	制图料号	PRODUCT PART NO.
X ±0.35	X ±5°	UNITS	MM	DRAWING	审核	产品名称	USB CF 16PIN (I=6.5)
X ±0.20	X ±2°	SCALE	1:1	CHKD	郭治富	PRODUCT NO.	MID MOUNT CH=0.28
XX ±0.10	XX ±1°	DATE	2016-09-09	核准	黄国荣	角法	
XXX ±0.05	XXX ±0.5°	DATE		APPD		VER	AD

MAPX

MODIFICATION

DATE

