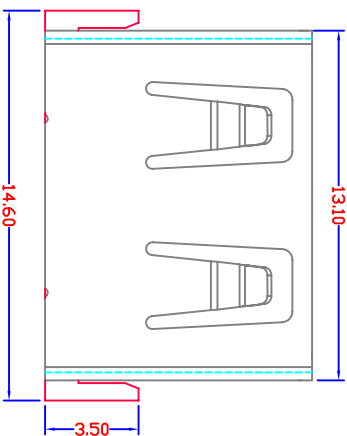
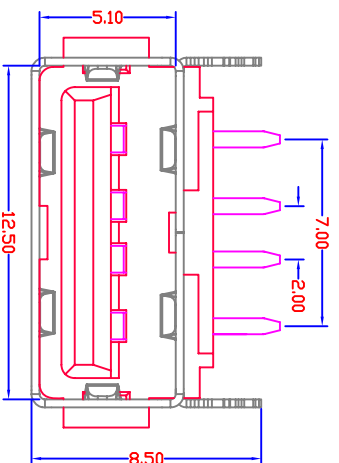
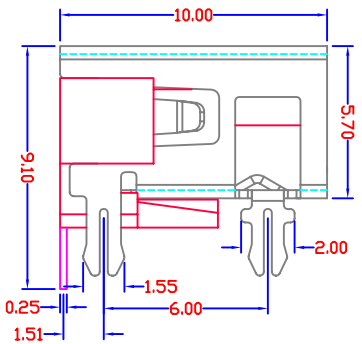
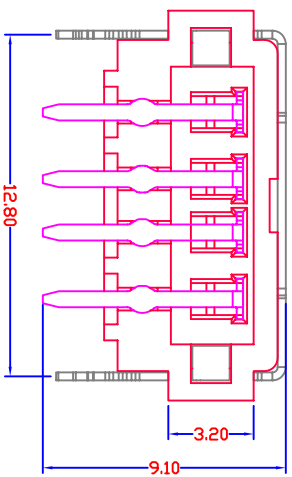


MAPX	MODIFICATION	DATE
------	--------------	------



Specification:

1. Electrical Characteristics:

Dielectric Withstanding Voltage: AC 500V/1MINUTE.  
 Insulation Resistance: 1000 MΩ/Min.  
 Contact Resistance: 30 mΩ/ Max.

2. Mechanical Characteristics:

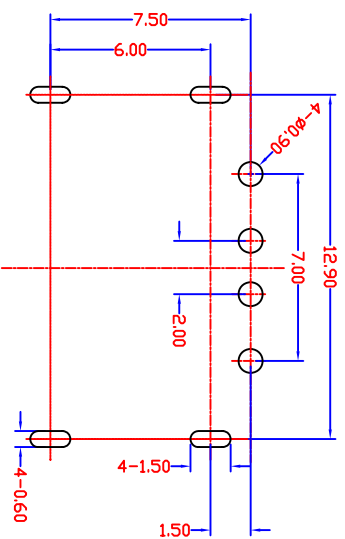
INSERTION FORCE: 30N(3.06kgf) MAX  
 EXTRACTION FORCE: 10~30N(1.02~3.06kgf)  
 Durability: 15000cycles. EXTRACTION FORCE: 10~30N(1.02~3.06kgf)

3. Material:

Terminal: Phosphor Bronze, C5191/C2680R-EH T=0.25  
 Plating: Gold 0.76 um Min plating over 1.27 um Min Nickel underplate, 2.54 um Min Sn selective plating on solder tail;  
 Shell: Bronze, C2680R-H =0.30mm  
 Plating: Nickel underplate 2.54 um Min;  
 Housing: LCP Black

4. Environmental:

Operating Temperature: 0°C to +85°C.



RECOMMENDED P.C.B LAYOUT

产品图

深圳市精拓金电子有限公司

PRODUCT CHART DWG

公差一览表

TOLERANCE UNLESS OTHERWISE

X	±0.15	X	±5°
X	±0.10	X	±2°
XX	±0.05	XX	±1°
XXX	±0.03	XXX	±0.5°

单位	MM	制图	Z-Y-B	制图料号	JTJ-USB-A/F-10.0-003
----	----	----	-------	------	----------------------

比例	1:1	审核		产品名称	USB A/F 90° 短体四脚无边
----	-----	----	--	------	--------------------

日期	2012.04.1	核准		角法	
DATE		APPD		VER	AD