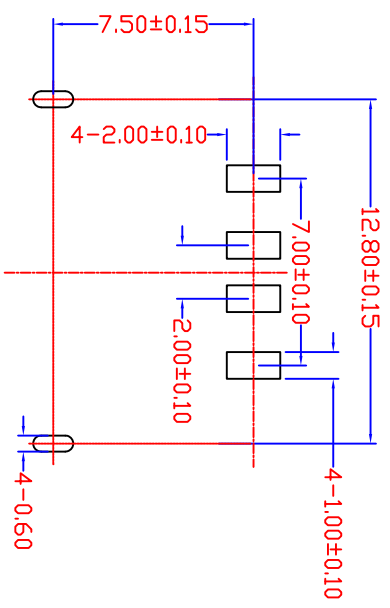
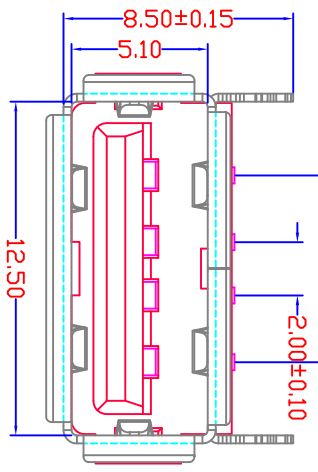
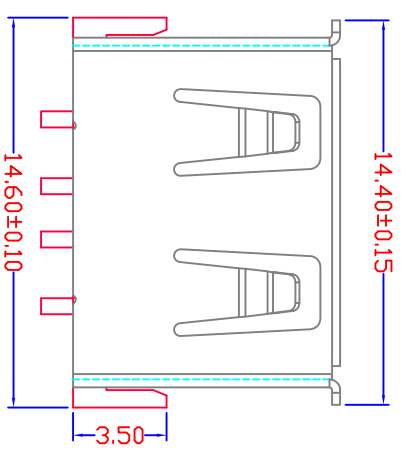
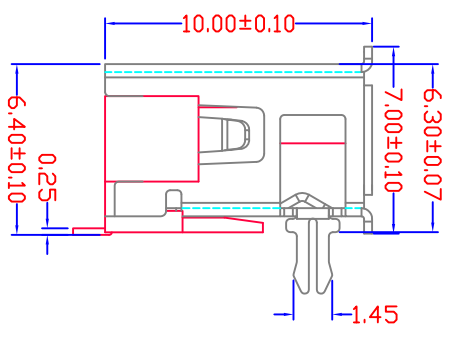
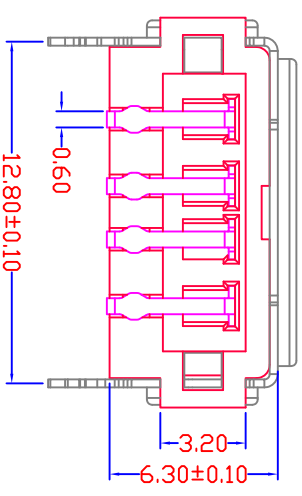


MAPX	MODIFICATION	DATE
------	--------------	------



RECOMMENDED P.C.B LAYOUT

**Specification:**

**1. Electrical Characteristics:**

Dielectric Withstanding Voltage: AC 500V/1MINUTE.  
 Insulation Resistance: 1000 MΩ/Min.  
 Contact Resistance: 30 mΩ/ Max.

**2. Mechanical Characteristics:**

INSERTION FORCE: 30N(3.06kgf) MAX  
 EXTRACTION FORCE: 10~30N(1.02~3.06kgf)  
 Durability: 1500cycles. EXTRACTION FORCE: 10~30N(1.02~3.06kgf)

**3. Material:**

Terminal: Phosphor Bronze, C5191/C2680R-EH T=0.25  
 Plating: Gold 0.76 um Min plating over 1.27 um Min Nickel underplate, 2.54 um Min Sn selective plating on solder tail;  
 Shell: Bronze, C2680R-H =0.30mm  
 Plating: Nickel underplate 2.54 um Min;

**4. Environmental:**

Housing: LCP Black  
 Operating Temperature: 0°C to +85°C.

**产品图**  
PRODUCT CHART DWG

**深圳市精拓金电子有限公司**

公差一览表		单位		制图		制图料号	
TOLERANCE UNLESS OTHERWISE		UNITS	MM	DRAWING	Z-Y-B	PRODUCT PART NO.	JTY-USB-A/F-10.0-020
X	±0.30	X	±5°	审核		产品名称	USB A/F SMT 短体四脚有边
X	±0.25	X	±2°	日期	2012.04.1	角法	
XX	±0.15	XX	±1°	DATE		版本	AD
XXX	±0.10	XXX	±0.5°	APPRO		VER	

G 1 2 3 4 5 6 7 8 9 10 G  
 F  
 E  
 D  
 C  
 B  
 A