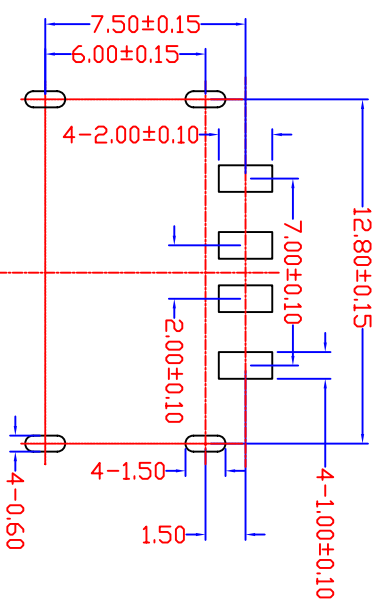
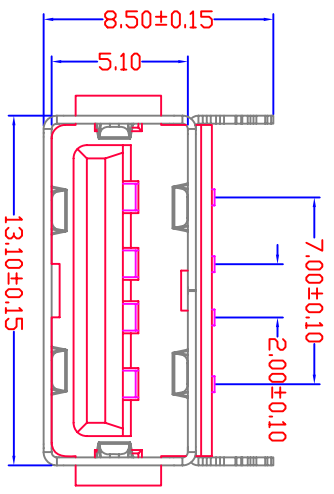
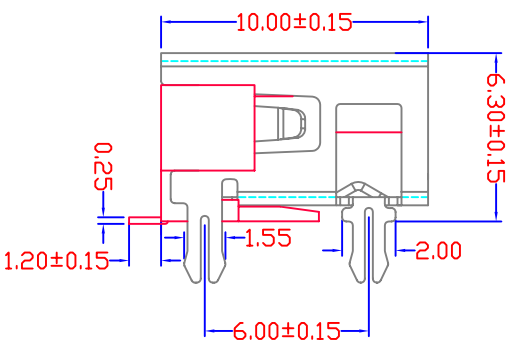
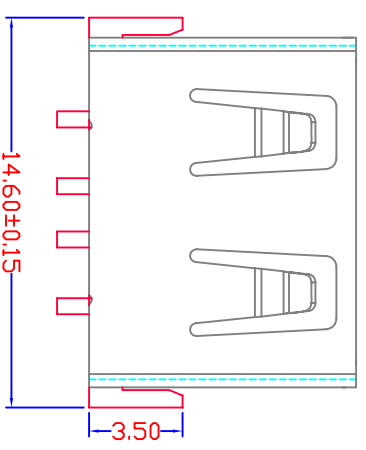
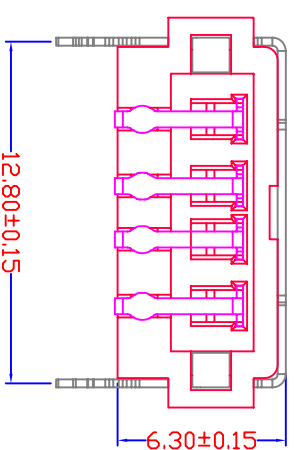


MAPX	MODIFICATION	DATE
------	--------------	------



RECOMMENDED P.C.B LAYOUT

- Specification:**
- Electrical Characteristics:**
Dielectric Withstanding Voltage: AC 500V/1MINUTE.
Insulation Resistance: 1000 MΩ/Min.
Contact Resistance: 30 mΩ/ Max.
 - Mechanical Characteristics:**
INSERTION FORCE: 30N(3.06kgf) MAX
EXTRACTION FORCE: 10~30N(1.02~3.06kgf)
Durability: 1500cycles, EXTRACTION FORCE: 10~30N(1.02~3.06kgf)
 - Material:**
Terminal: Phosphor Bronze, C5191/C2680R-EH T=0.25
Plating: Gold 0.76 um Min plating over 1.27 um Min Nickel underplate, 2.54 um Min Sn selective plating on solder tail;
Shell: Bronze, C2680R-H =0.30mm
Plating: Nickel underplate 2.54 um Min;
Housing: LCP Black
 - Environmental:**
Operating Temperature: 0°C to +85°C.

产品图
PRODUCT CHART DWG
公差一覽表
TOLERANCE UNLESS OTHERWISE

深圳市精拓金电子有限公司
JTI -USB-A/F-10.0-012

公差一覽表	公差	OTHERWISE	±5°	±2°	±1°	±0.5°
TOLERANCE UNLESS OTHERWISE	公差	OTHERWISE	±5°	±2°	±1°	±0.5°
X	±0.25	X	±5°	±2°	±1°	±0.5°
X	±0.15	X	±2°	±2°	±1°	±0.5°
XX	±0.10	XX	±1°	±1°	±1°	±0.5°
XXX	±0.05	XXX	±0.5°	±0.5°	±0.5°	±0.5°

单位	MM	制图	Z-Y-B	制图料号	JTI -USB-A/F-10.0-012
UNITS	MM	DRAWING	Z-Y-B	PRODUCT PART NO.	JTI -USB-A/F-10.0-012
比例	1:1	审核		产品名称	USB A/F 90° 短体四脚无边
SCALE	1:1	CHKD		PRODUCT NO.	USB A/F 90° 短体四脚无边
日期	2012.04.1	核准		角法	版本
DATE	2012.04.1	APPR		VIEW	VER
					AD

G 1 2 3 4 5 6 7 8 9 10
A B C D E F G