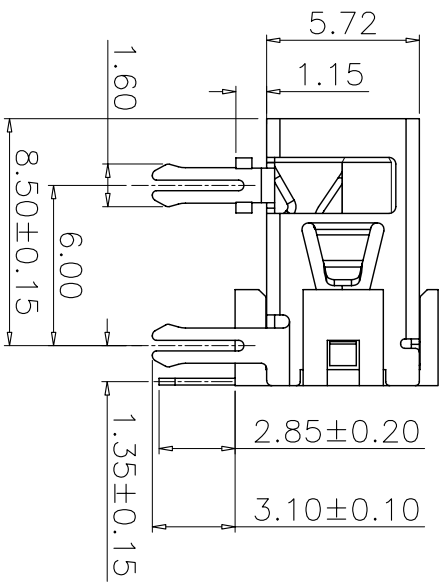
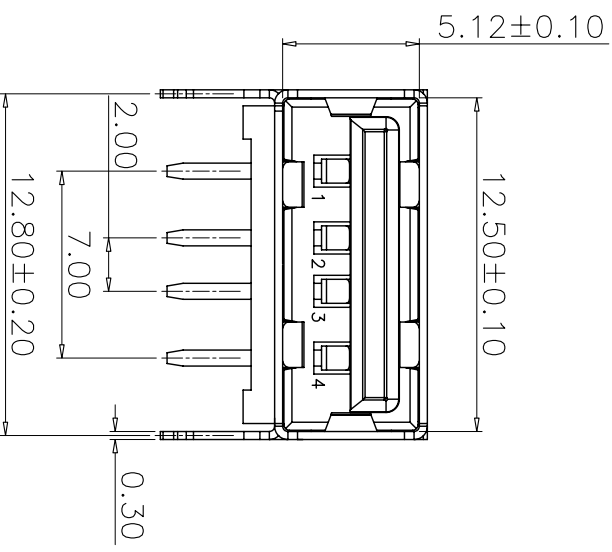


PCB HOLES(THE PATTERN SIDE)
NOTE:GENERAL TOLERANCE:±0.1mm



- NOTES:
- HOUSING: SEE NOTES, TERMINAL: SEE NOTES, SHELL: SEE NOTES.
 - MECHANICAL CHARACTERISTIC:
 - INSERTION FORCE: 35N(3.57KGF) MAX
 - EXTRACTION FORCE: 10~35N(1.02~3.57KGF) MIN
 - DURABILITY: 1500 CYCLES EXTRACTION FORCE:10~35N 5000 CYCLES MIN
 - 5000 CYCLES EXTRACTION FORCE:3~35N
 - ENVIRONMENTAL:
 - OPERATING TEMPERATURE: -55°C+85°C
 - Contact finish:
 - 01:Selective Gold Flash
 - 02:Selective Gold 3U"
 - 03:Selective Gold 5U"
 - 04:Selective Gold 15U"
 - 05:Selective Gold 30U"

产品图

深圳市精拓金电子有限公司

公差一览表		单位	MM	制图	Z-Y-B	制图料号	USB A/F 10.0-B-001
TOLERANCE UNLESS OTHERWISE		UNITS		DRAWING		PRODUCT PART NO.	
X ±0.15	X	SCALE	1:1	审核		PRODUCT NO.	USB A/F 10.0 (四脚无边)
.XX ±0.10	.X	比例		核准		角法	
.XXX ±0.03	.XXX	日期	2010.05.06	APPD		版本	A0
		DATE				YEAR	