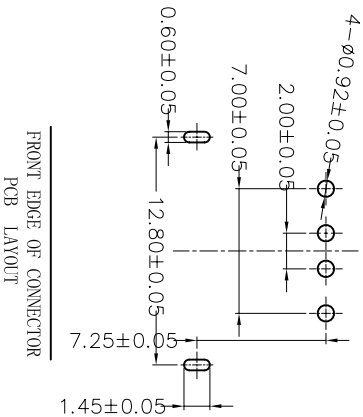
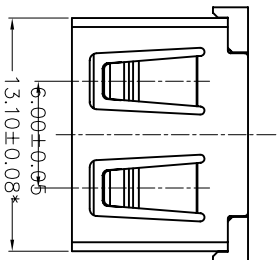


MAPX	MODIFICATION	DATE
------	--------------	------

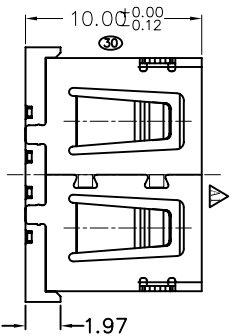
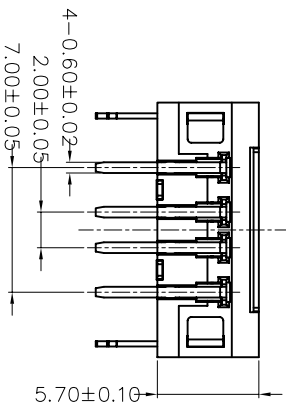
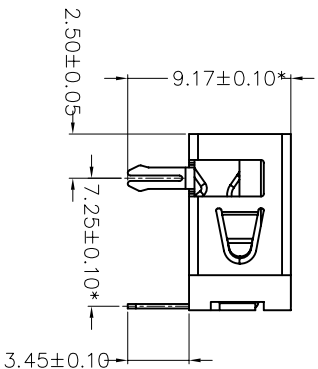
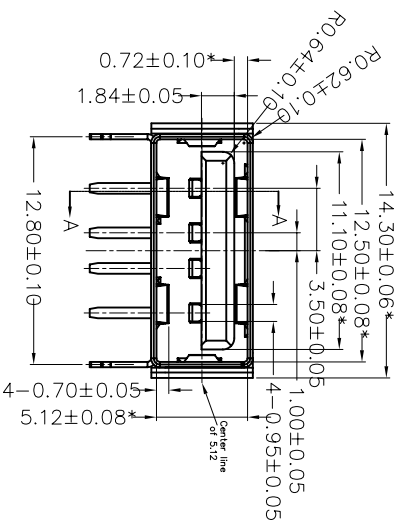
NOTES:  
1. HOUSING: SEE NOTES,  
TERMINAL: SEE NOTES,  
SHELL: SEE NOTES.

SPECIFICATION:

- ELECTRICAL CHARACTERISTIC:  
CONTACT RESISTANCE: 30MΩ MAX  
DIELECTRIC WITHSTANDING VOLTAGE: 500V AC FOR 1MIN  
INSULATION RESISTANCE: 1000MΩ MIN
  - MECHANICAL CHARACTERISTIC:  
INSERTION FORCE: 35N(3.57KGf) MAX  
EXTRACTION FORCE: 10.35N(1.02\*3.57KGf) MIN  
DURABILITY: 1500 CYCLES EXTRACTION FORCE: 10.35N  
5000 CYCLES MIN  
5000 CYCLES EXTRACTION FORCE: 3.35N
  - ENVIRONMENTAL:  
OPERATING TEMPERATURE: -55°C+85°C
4. Contact finish:  
01: Selective Gold Flash  
02: Selective Gold 3U"  
03: Selective Gold 5U"  
04: Selective Gold 15U"  
05: Selective Gold 30U"



FRONT EDGE OF CONNECTOR  
PCB LAYOUT



产品图  
PRODUCT CHART DWG

深圳市精拓金电子有限公司

公差一览表

单位: MM

制图: Z-Y-B

制图料号: JTJ-USB A/F 10.0-C-005

TOLERANCE UNLESS OTHERWISE

UNITS: ±0.15 X, ±5.°

DRAWING: 审核

产品名称: USB A/F DIP 90° (10.0) 无卷边

X ±0.10 X ±2.°

比例: 1:1

CHD: 核准

PRODUCT NO: 角法

XX ±0.05 XX ±1.°

日期: 2012.06.15

APPD: 核准

版本: A0

XXX ±0.03 .XXX ±0.5°

DATE: 2012.06.15

APPD: 核准

角法: 核准