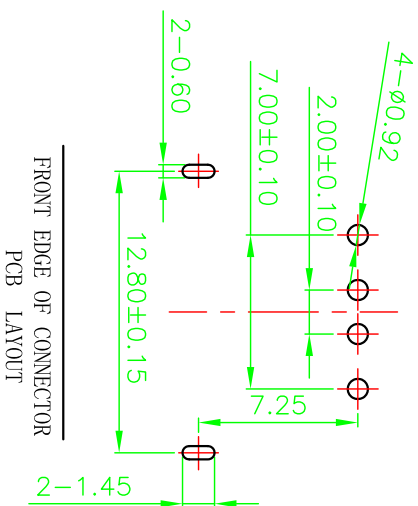
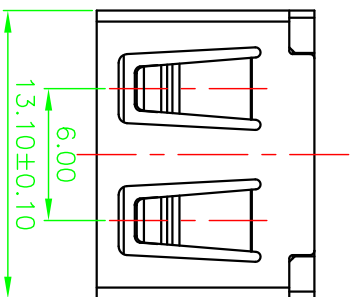
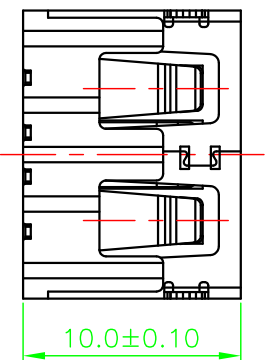
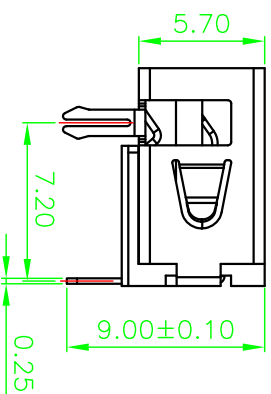
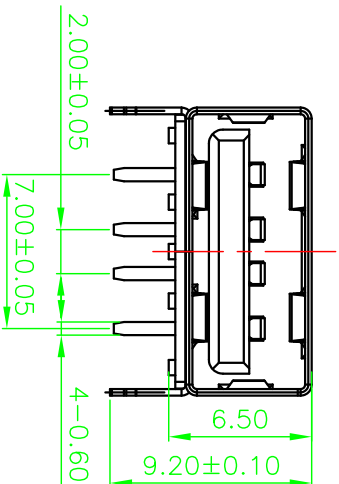


ROHS



FRONT EDGE OF CONNECTOR
PCB LAYOUT



产品图

PRODUCT CHART DIM

公差一览表

TOLERANCE UNLESS OTHERWISE

公差一览表		单位		制图		制图料号	
X.	±0.35	X.	±5.°	MM	许榕强	PRODUCT PART NO.	
X.	±0.20	X.	±2.°	比例	审核 郭治富	产品名称	USB A/B 90° DTP C款 反向 前两脚
.XX	±0.10	.XX	±1.°	日期	核准 黄国荣	角法	无边 H6.5mm
.XXX	±0.05	.XXX	±0.5°	DATE	2016-09-09	VER	版本 A0

深圳市精拓金电子有限公司

- Note:
- Material:
 - Housing: High temperature thermoplastic with/black G/F,UL94V-0
 - Contact: copper alloy,t=0.25mm
 - Shell: copper/Ferroalloy alloy,t=0.30mm
 - Specification:
 - Current rating:1.5A Max.
 - Dielectric withstanding voltage: 100 V(ac) for 1 min.
 - Contact resistance: 30 mΩ Max.
 - Insulation resistance: 100 MΩ Min.
 - Total mating force: 3.57 Kgf Max.
 - Total unmating force: 1.0 Kgf Min.
 - Finish:
 - Contact: Plated Gold in Mating Area; Tin On Solder Tails
 - Shell: Nickel Plating
 - Environmental:
 - Temperature range: -55°C~85°C

MAPX

MODIFICATION

DATE