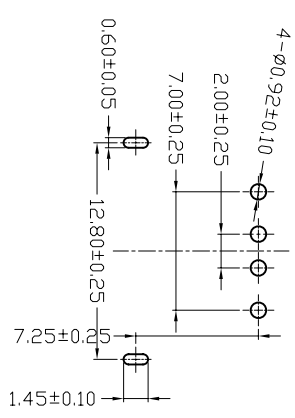
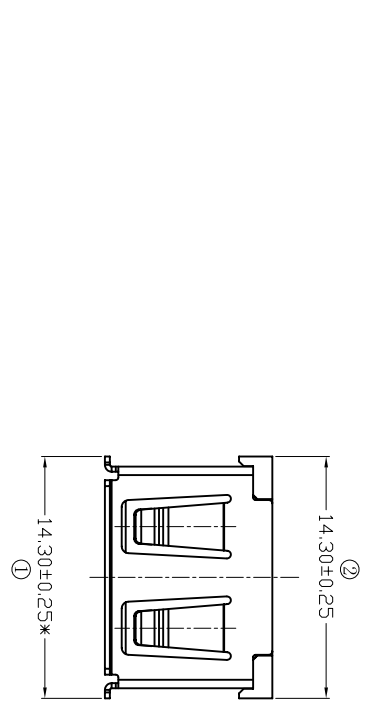
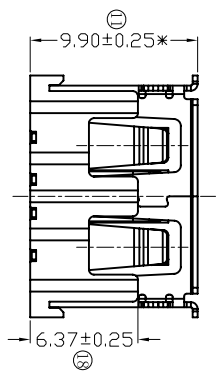
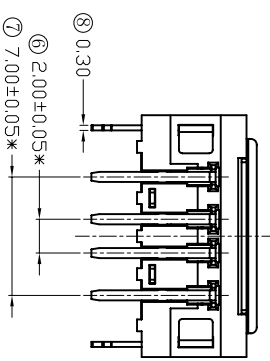
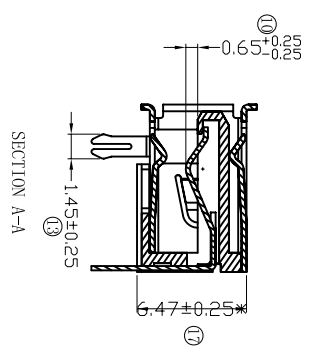
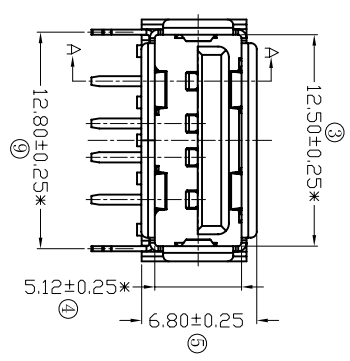
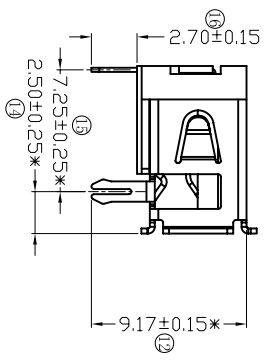


MAPX	MODIFICATION	DATE
------	--------------	------



FRONT EDGE OF CONNECTOR
PCB LAYOUT

- NOTES:
 1. HOUSING: SEE NOTES, TERMINAL: SEE NOTES, SIBELL: SEE NOTES.
 SPECIFICATION:
 1. ELECTRICAL CHARACTERISTIC:
 CONTACT RESISTANCE: 30MΩ MAX
 DIELECTRIC WITHSTANDING VOLTAGE: 500V AC FOR 1MIN
 INSULATION RESISTANCE: 1000MΩ MIN
 2. MECHANICAL CHARACTERISTIC:
 INSERTION FORCE: 35N(3.57KG) MAX
 EXTRACTION FORCE: 10.35N(1.02~3.57KG) MIN
 DURABILITY: 1500 CYCLES EXTRACTION FORCE:10.35N
 3000 CYCLES MIN
 5000 CYCLES EXTRACTION FORCE:3.35N
 3. ENVIRONMENTAL:
 OPERATING TEMPERATURE: -55°C+85°C
 4. Contact Finish:
 01: Selective Gold Flash
 02: Selective Gold 30"
 03: Selective Gold 50"
 04: Selective Gold 150"
 05: Selective Gold 300"



产品图
PRODUCT CHART DWG

深圳市精拓金电子有限公司

公差一览表		单位	MM	制图	Z-Y-B	制图料号	JTJ-USB AF 10.0-C-006
TOLERANCE UNLESS OTHERWISE		UNITS		DRAWING		PRODUCT PART NO	
X	±0.25	X	±5°	审核		产品名称	USB A/F DIP 90° (10.0)有卷边
X	±0.20	X	±2°	CHKD		角法	
XX	±0.15	XX	±1°	核准		VER	版本
XXX	±0.10	XXX	±0.5°	APPD		VIEW	AD
		日期	2012.06.15				

1 2 3 4 5 6 7 8 9 10
 A B C D E F G