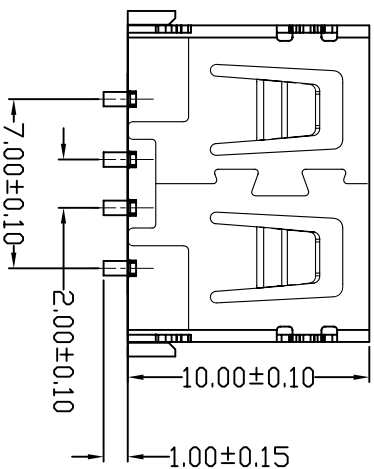
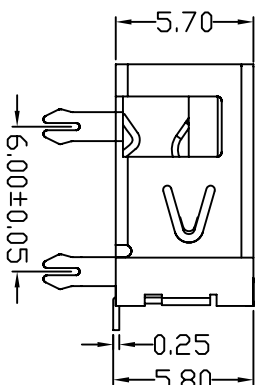
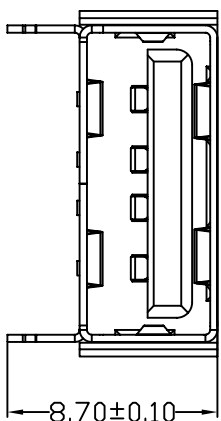
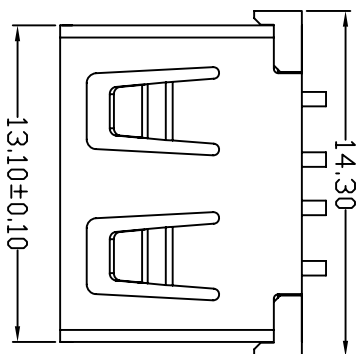


D款, 正向10.0四脚, SMT-*5.70



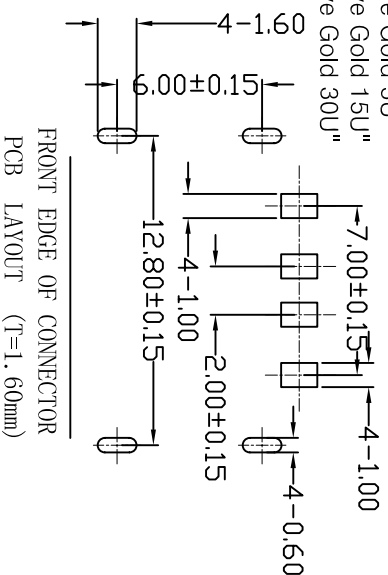
MAPX	MODIFICATION	DATE
------	--------------	------

NOTES:
 1. HOUSING: SEE NOTES, UL94V-0.
 TERMINAL: SEE NOTES.
 SHELL: SEE NOTES.

SPECIFICATION:
 1. ELECTRICAL CHARACTERISTIC:
 CONTACT RESISTANCE: 30MΩ MAX
 DIELECTRIC WITHSTANDING VOLTAGE: 500V AC FOR 1MIN
 INSULATION RESISTANCE: 1000MΩ MIN
 2. MECHANICAL CHARACTERISTIC:
 INSERTION FORCE: 35N(3.57KGF) MAX
 EXTRACTION FORCE: 10~35N(1.02~3.57KGF)MIN
 DURABILITY: 1500 CYCLES EXTRACTION FORCE:10~35N
 5000 CYCLES MIN

3. ENVIRONMENTAL:
 OPERATING TEMPERATURE: -55°C+85°C

4. Contact finish:
 01: Selective Gold Flash
 02: Selective Gold 3U"
 03: Selective Gold 5U"
 04: Selective Gold 15U"
 05: Selective Gold 30U"



深圳市精拓金电子有限公司

产品图		制图料号	
公差一览表		JTJ-USB-10.0-004	
TOLERANCE UNLESS OTHERWISE	UNIT	DRAWING	PRODUCT PART NO.
X: ±0.25	X	审核	产品名称
X: ±0.20	X	日期	PRODUCT NO.
XX: ±0.15	XX	2012.09.24	USB A/P 10.0正向四脚鱼叉(方弹)
XXX: ±0.10	XXX	核准	角法
		APPD	版本
			AD

A B C D E F G

A B C D E F G

1 2 3 4 5 6 7 8 9 10