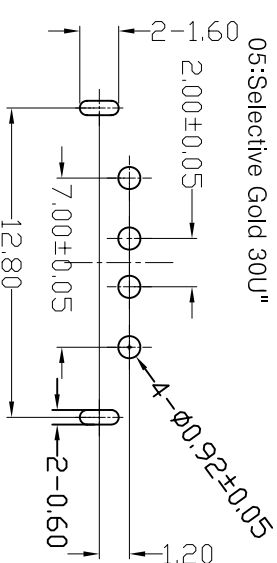
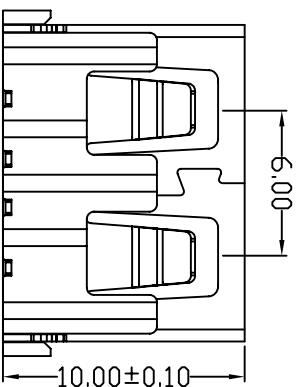
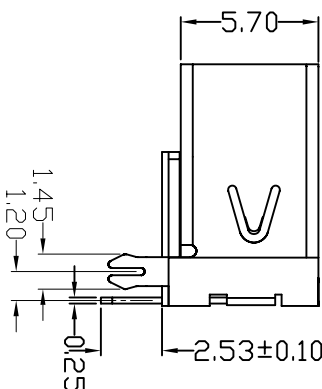
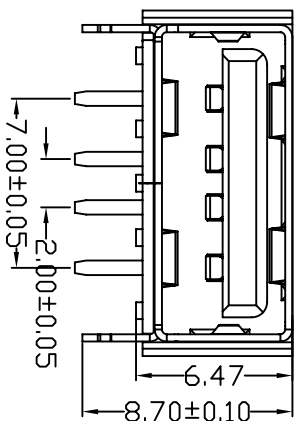
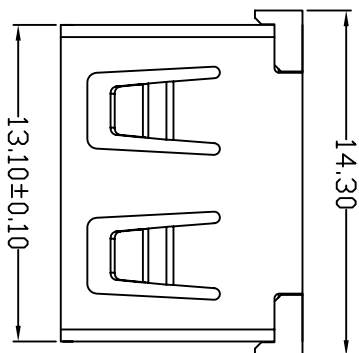


D款, 正向10.0后两脚, DIP-*6.50



FRONT EDGE OF CONNECTOR
PCB LAYOUT (T=1.60mm)

NOTES:
1. HOUSING: SEE NOTES, UL94V-0.
TERMINAL: SEE NOTES.
SHELL: SEE NOTES.

SPECIFICATION:

1. ELECTRICAL CHARACTERISTIC:
CONTACT RESISTANCE: 30MΩ MAX
DIELECTRIC WITHSTANDING VOLTAGE: 500V AC FOR 1MIN
INSULATION RESISTANCE: 1000MΩ MIN

2. MECHANICAL CHARACTERISTIC:
INSERTION FORCE: 35N(3.57KGF) MAX
EXTRACTION FORCE: 10~35N(1.02~3.57KGF)MIN
DURABILITY: 1500 CYCLES EXTRACTION FORCE: 10~35N
5000 CYCLES MIN

3. ENVIRONMENTAL:
OPERATING TEMPERATURE: -55°C+85°C

4. Contact finish:

- 01: Selective Gold Flash
- 02: Selective Gold 3U"
- 03: Selective Gold 5U"
- 04: Selective Gold 15U"
- 05: Selective Gold 30U"

产品图
PRODUCT CHART DWG

公差一览表
TOLERANCE UNLESS OTHERWISE

X	±0.15	X	±5°
X	±0.10	X	±2°
XX	±0.05	XX	±1°
XXX	±0.03	XXX	±0.5°

深圳市精拓金电子有限公司

单位	MM	制图	Z-Y-B	制图料号	JTJ-1-USB-10.0-002
UNITS	MM	DRAWING	Z-Y-B	PRODUCT PART NO.	JTJ-1-USB-10.0-002
比例	1:1	审核		产品名称	USB A/F 10.0无边后两脚鱼叉(万弹)
SCALE	1:1	CHKD		PRODUCT NO.	USB A/F 10.0无边后两脚鱼叉(万弹)
日期	2012.09.24	核准		角法	
DATE	2012.09.24	APPR		VIEW	
				版本	AD
				VER	

MAPX	MODIFICATION	DATE
------	--------------	------