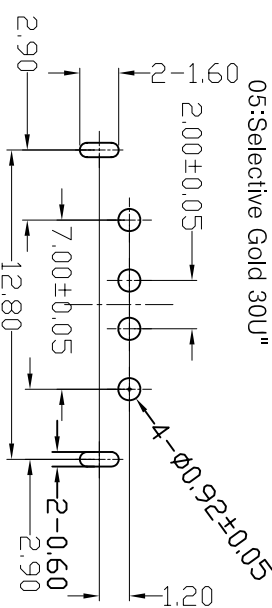
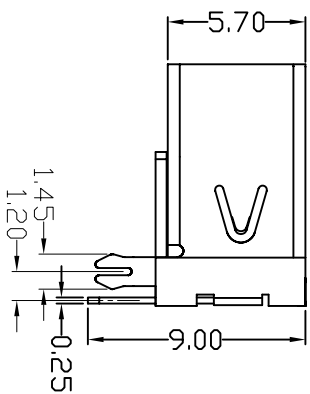
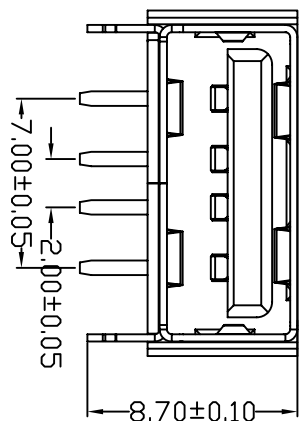
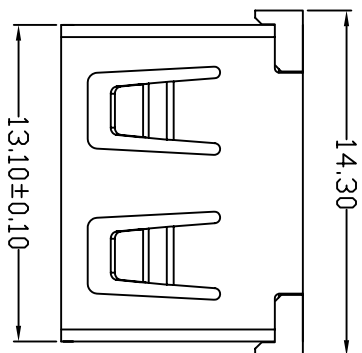
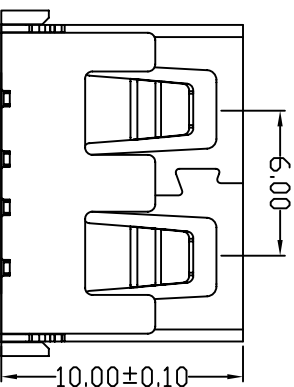


D款，正向10.0后两脚，DIP-*6.20

MAPX	MODIFICATION	DATE
------	--------------	------



FRONT EDGE OF CONNECTOR
PCB LAYOUT (T=1.60mm)



NOTES:
1.HOUSING: SEE NOTES, UL94V-0 .
TERMINAL: SEE NOTES.
SHELL: SEE NOTES.

SPECIFICATION:
1.ELECTRICAL CHARACTERISTIC:
CONTACT RESISTANCE: 30MΩ MAX
DIELECTRIC WITHSTANDING VOLTAGE: 500V AC FOR 1MIN
INSULATION RESISTANCE: 1000MΩ MIN
2.MECHANICAL CHARACTERISTIC:
INSERTION FORCE: 35N(3.57KGF) MAX
EXTRACTION FORCE: 10~35N(1.02~3.57KGF)/MIN
DURABILITY: 1500 CYCLES EXTRACTION FORCE:10~35N
5000 CYCLES MIN

3.ENVIRONMENTAL:
OPERATING TEMPERATURE: -55°C+85°C

4.Contact finish:
01:Selective Gold Flash
02:Selective Gold 3U"
03:Selective Gold 5U"
04:Selective Gold 15U"
05:Selective Gold 30U"

产品图
PRODUCT CHART DWG

深圳市精拓金电子有限公司

公差一览表		制图		制图料号	
TOLERANCE UNLESS OTHERWISE	UNITS	DRAWING	Z-Y-B	PRODUCT PART NO	JTJ-1USB-10.0-002
X ±0.15	X	审核		产品名称	USB A/F 10.0无边后两脚鱼叉(万弹)
X ±0.10	X	日期	1:1	角法	USP A/F 10.0无边后两脚鱼叉(万弹)
XX ±0.05	XX	DATE	2012.09.24	版本	VER
XXX ±0.03	XXX	核准		AD	
		APPD			

1 2 3 4 5 6 7 8 9 10