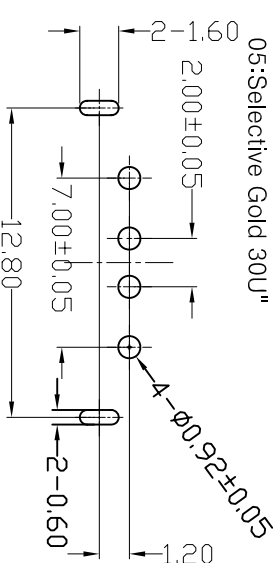
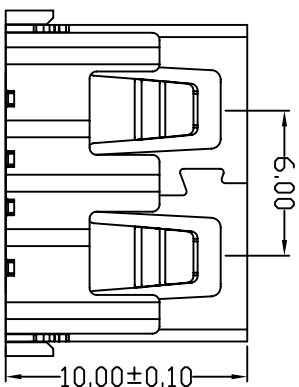
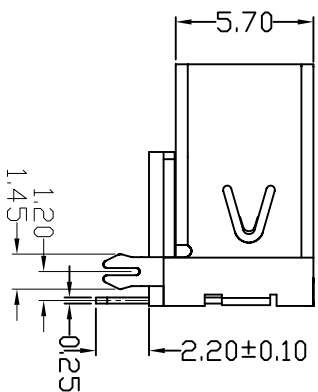
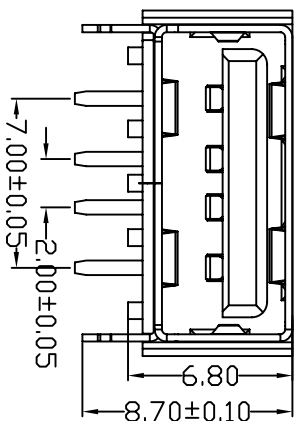
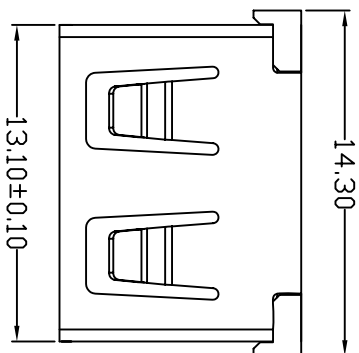


D款，正向10.0后两脚，DIP-*6.80



FRONT EDGE OF CONNECTOR
PCB LAYOUT (T=1.60mm)

NOTES:
1. HOUSING: SEE NOTES, UL94V-0.
TERMINAL: SEE NOTES.
SHELL: SEE NOTES.

SPECIFICATION:

1. ELECTRICAL CHARACTERISTIC:
CONTACT RESISTANCE: 30MΩ MAX
DIELECTRIC WITHSTANDING VOLTAGE: 500V AC FOR 1MIN
INSULATION RESISTANCE: 1000MΩ MIN

2. MECHANICAL CHARACTERISTIC:
INSERTION FORCE: 35N(3.57KGF) MAX
EXTRACTION FORCE: 10~35N(1.02~3.57KGF)MIN
DURABILITY: 1500 CYCLES EXTRACTION FORCE: 10~35N
5000 CYCLES MIN

3. ENVIRONMENTAL:
OPERATING TEMPERATURE: -55°C+85°C

4. Contact finish:

- 01: Selective Gold Flash
- 02: Selective Gold 3U"
- 03: Selective Gold 5U"
- 04: Selective Gold 15U"
- 05: Selective Gold 30U"

产品图

深圳市精拓金电子有限公司

PRODUCT CHART DWG

公差一覽表

TOLERANCE	UNLESS OTHERWISE
X	±0.15
X	±0.10
XX	±0.05
XXX	±0.03

UNIT	MM
SCALE	1:1
DATE	2012/09/24

制图号: Z-Y-B

制图料号: JTJ-1-USB-10.0-002

产品名称: USB A/F 10.0无边后两脚鱼叉(方弹)

版本: AD