

MAPX	MODIFICATION	DATE
------	--------------	------

NOTES:

1. HOUSING: SEE NOTES.
 TERMINAL: SEE NOTES.
 SHELL: SEE NOTES.

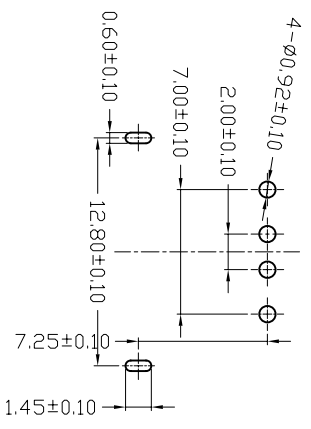
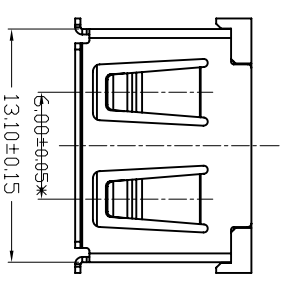
SPECIFICATION:

1. ELECTRICAL CHARACTERISTIC:
 CONTACT RESISTANCE: 30MΩ MAX
 DIELECTRIC WITHSTANDING VOLTAGE: 500V AC FOR 1MIN
 INSULATION RESISTANCE: 1000MΩ MIN

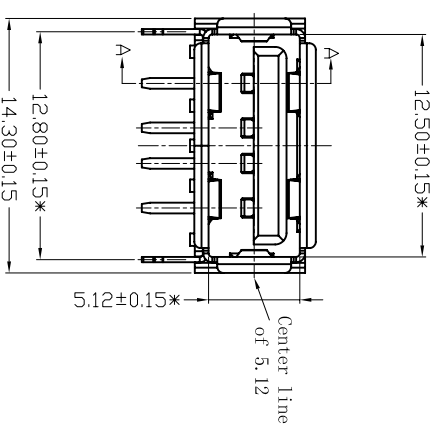
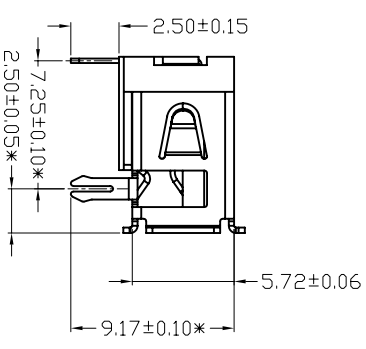
2. MECHANICAL CHARACTERISTIC:
 INSERTION FORCE: 35N(3.57KG) MAX
 EXTRACTION FORCE: 10.35N(1.02*3.57KG) MIN
 DURABILITY: 1500 CYCLES EXTRACTION FORCE: 10.35N
 3000 CYCLES MIN
 5000 CYCLES EXTRACTION FORCE: 3~35N

3. ENVIRONMENTAL:

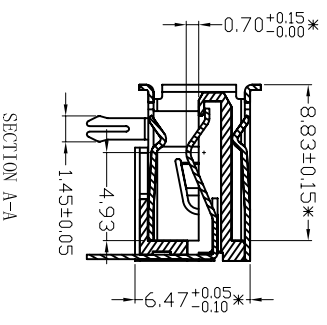
OPERATING TEMPERATURE: -55°C~85°C
 4. Contact finish:
 01: Selective Gold Flash
 02: Selective Gold 30"
 03: Selective Gold 50"
 04: Selective Gold 150"
 05: Selective Gold 300"



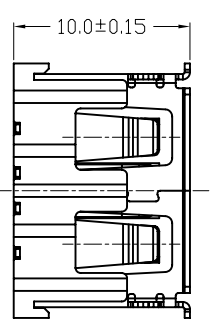
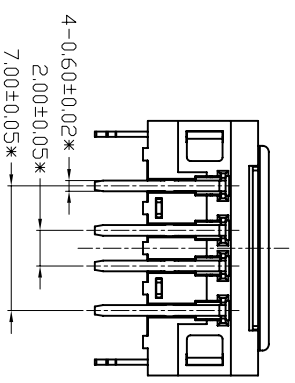
FRONT EDGE OF CONNECTOR
PCB LAYOUT



Center line
of 5.12



SECTION A-A



产品图
PRODUCT CHART DWG

深圳市精拓金电子有限公司

公差一览表

TOLERANCE UNLESS OTHERWISE	公差
X. ±0.25	X. ±5°
X. ±0.20	X. ±2°
XX ±0.15	XX ±1°
XXX ±0.10	XXX ±0.5°

单位 UNITS	MM	制图 DRAWING	Z-Y-B	制图料号 PRODUCT PART NO.	JTJ-USB AF 10.0-C-006
比例 SCALE	1:1	审核 CHKD		产品名称 PRODUCT NO.	USB A/F DIP 90° (10.0)有卷边
日期 DATE	2012.06.15	核准 APPD		角法 VIEW	版本 VER
				AD	

1 2 3 4 5 6 7 8 9 10

G F E D C B A

G F E D C B A