

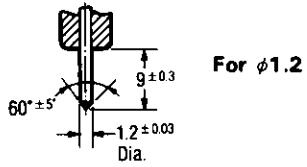
Special Connectors Ignition Plug Contacts

For Round Pins

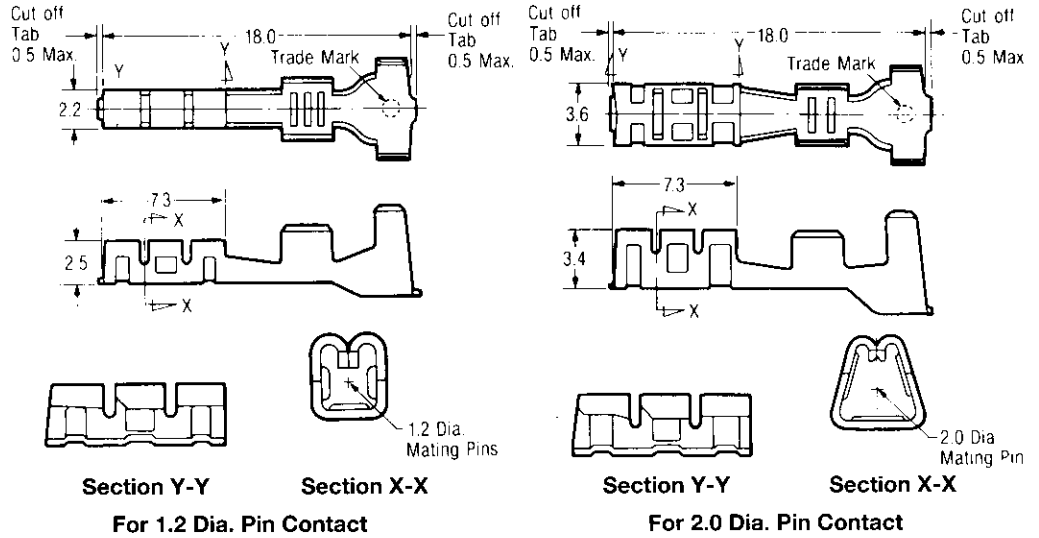
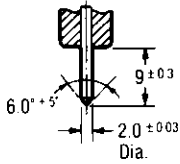
Material and Finish:

0.3mm thick stainless steel
(NSS 305M1) and copper alloy

Applicable ignition plugs



For $\phi 2.0$



Applicable Ignition Plug Dia.	Wire Range		Wire Ins. Dia.	Part Numbers of Contacts
	AWG	mm ²		
1.2	22-18	0.3-0.89	3.0-5.0	175036-1
2.0			3.5-5.5	175065-1
			1.2-3.5	175135-1*

*For flame sensor