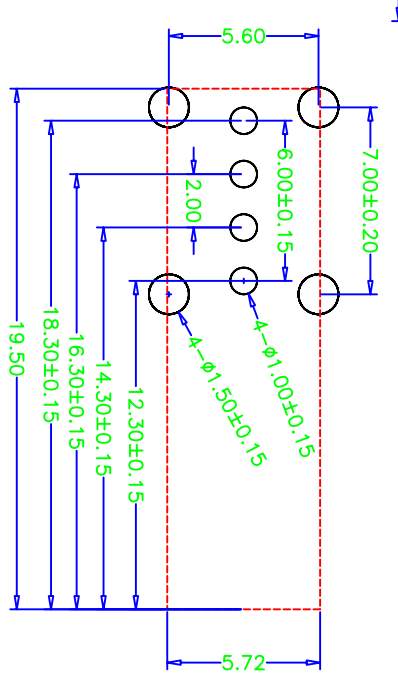
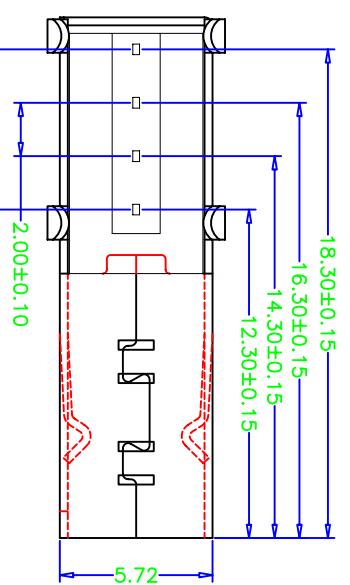
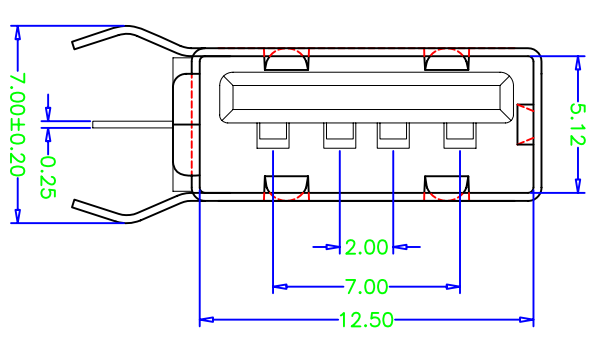
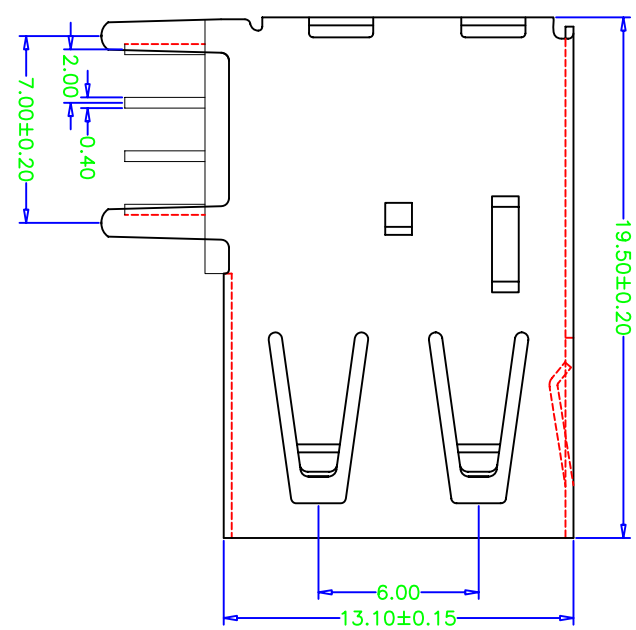
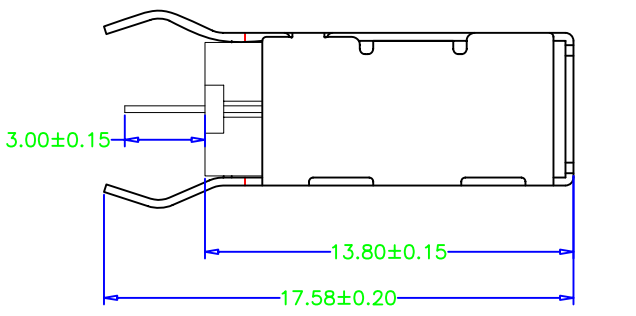


Model	MS999	Manufacturer	MOJIBREASTON	Part No	Q13E
-------	-------	--------------	--------------	---------	------



RECOMMENDED PCB LAYOUT

- NOTE:
- Material:
    - Housing: Thermoplastics, UL94V-0 (ROHS, HF)
    - Contact: Phosphor Bronze C5191-EH/C2680-EH, T=0.25mm
    - Shell: COPPER ALLOY T=0.30mm
  - FINISH:
    - Contact: 15u" Gold Plated on Contact Area, 80u" Min. Tin Plated on Solder Area, 50u" Min. Nickel Underplating Over All.
    - Shell: 50u" Min. Nickel Underplating Over All.
  - Specification:
    - 3.1: Rating:
      - Rated voltage 500V AC/DC. Rated current: 2 A Max.
    - 3.2: Electrical:
      - Insulation Resistance(EIA-364-21): 10000Ω Min. at 500V/DC for 1minute.
      - Contact Resistance(EIA-364-23): 30 mΩ Max. at 20mV Max, 50mA
      - Dielectric Withstanding Voltage(EIA-364-20): No discharge, Flashover or breakdown at 500V/AC 1minute
    - 4. Plug extraction force shall be between 1.0kgf and 2.00kgf
    - 5. Contact finish:
      - 01: Selective Gold Flash
      - 02: Selective Gold 3U"
      - 03: Selective Gold 5U"
      - 04: Selective Gold 15U"
      - 05: Selective Gold 30U"

# 深圳市精拓金电子有限公司

产品图  
PRODUCT CHART DWG

公差一覽表	TOLERANCE UNLESS OTHERWISE
X	±0.25
X	±0.20
.XX	±0.15
.XXX	±0.10

单位	UNIT	MM
X	±5.°	
X	±2.°	
.XX	±1.°	
.XXX	±0.5°	

制图	DRAWING	Z-Y-B
审核	CHKD	
核准	APPD	

日期	DATE	2012.11.14
比例	SCALE	1:1

制图料号	PRODUCT PART NO.	USB A/F侧立长体无卷边
产品名称	PRODUCT NO.	
角注	VIEW	版本
		AO

G 1 2 3 4 5 6 7 8 9 10  
A B C D E F