

PLEASE CHECK WWW.MOLEX.COM FOR LATEST PART INFORMATION

Part Number: **0351500200**
Status: **Active**
Overview: VersaBlade Wire-to-Wire Connector System
Description: Wire-to-Wire VersaBlade Hybrid Plug Housing, without Mounting Ears, 2 Circuits, Polyester UL94V-0, Natural

Documents:

[3D Model](#) [Packaging Specification PK-35150-002-001 \(PDF\)](#)
[Drawing \(PDF\)](#) [RoHS Certificate of Compliance \(PDF\)](#)
[Product Specification PS-35150-003-001 \(PDF\)](#)

Agency Certification

CSA LR19980
 UL E29179

General

Product Family Crimp Housings
 Series 35150
 Application Power, Wire-to-Wire
 Comments Polarized to Mating Part, Positive Lock
 Overview VersaBlade Wire-to-Wire Connector System
 Product Name VersaBlade
 UPC 800754375375

Physical

Circuits (maximum) 2
 Color - Resin Natural
 Flammability 94V-0
 Gender Plug
 Glow-Wire Capable No
 Keying to Mating Part None
 Lock to Mating Part Yes
 Material - Resin Polyester
 Net Weight 1.953/g
 Number of Rows 1
 Packaging Type Bag
 Panel Mount No
 Pitch - Mating Interface 6.20mm
 Pitch - Termination Interface 6.20mm
 Polarized to Mating Part Yes
 Stackable No
 Temperature Range - Operating -40° to +120°C

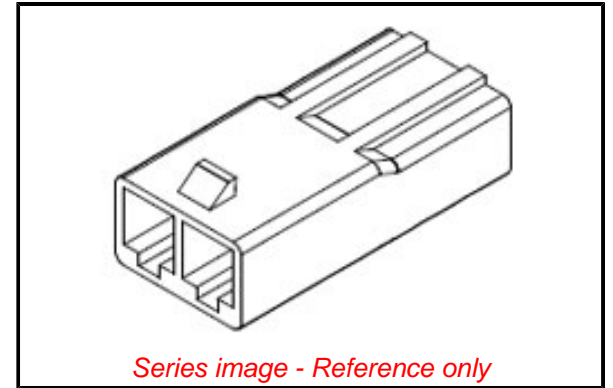
Solder Process Data

Lead-freeProcess Capability N/A

Material Info

Reference - Drawing Numbers

Packaging Specification PK-35150-002-001
 Product Specification PS-35150-003-001
 Sales Drawing SD-35150-020*



EU ELV

Not Relevant

EU RoHS

Compliant

REACH SVHC

Not Contained Per -
 ED/61/2018 (27 June
 2018)

Halogen-Free

Status

Not Low-Halogen

For more information, please visit [Contact US](#)

China ROHS

ELV

RoHS Phthalates

China RoHS

Green Image

Not Relevant

Not Contained

Search Parts in this Series

35150 Series

Mates With

Receptacle Housing 35151

Use With

VersaBlade Crimp Terminals 35745 , TPA
35150

Mouser Electronics

Authorized Distributor

Click to View Pricing, Inventory, Delivery & Lifecycle Information:

[Molex:](#)

[35150-0200](#)