

PLEASE CHECK WWW.MOLEX.COM FOR LATEST PART INFORMATION

Part Number: [0352700410](#)
Status: **Active**
Description: 6.00mm Tab Wire-to-Wire Receptacle Housing, Secondary Lock, 4 Circuits

Documents:

[Drawing \(PDF\)](#) [Packaging Specification PK-35270-001 \(PDF\)](#)
[Product Specification PS-35270-001 \(PDF\)](#) [RoHS Certificate of Compliance \(PDF\)](#)

General

Product Family	Crimp Housings
Series	35270
Application	Power, Wire-to-Wire
Product Name	N/A
UPC	756054264027

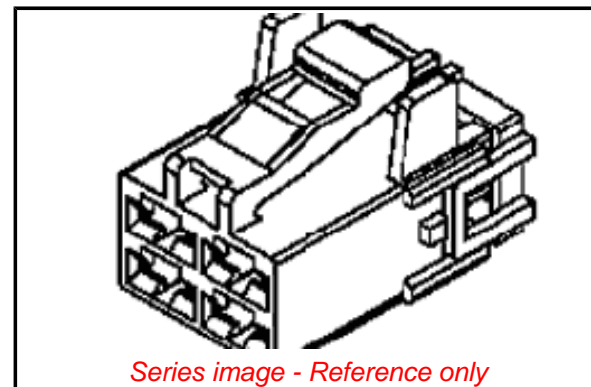
Physical

Circuits (maximum)	4
Color - Resin	Natural
Gender	Female
Glow-Wire Compliant	No
Material - Resin	Polyester
Net Weight	4.003/g
Number of Rows	2
Packaging Type	Bag
Panel Mount	No
Pitch - Mating Interface	9.00mm
Pitch - Termination Interface	9.00mm
Stackable	No
Temperature Range - Operating	-40°C to +80°C

Material Info

Reference - Drawing Numbers

Packaging Specification	PK-35270-001
Product Specification	PS-35270-001



EU ELV

Compliant

EU RoHS

Compliant

REACH SVHC

Contains SVHC(2015
June 15): No

Halogen-Free

Status

Not Relevant

**Need more information on product
environmental compliance?**

Email productcompliance@molex.com
Please visit the [Contact Us](#) section for any
non-product compliance questions.

China ROHS

ELV

Not Relevant

Compliant

Search Parts in this Series

[35270](#) Series

Mates With

[35272](#)

Use With

[35427](#) , [35430](#)

Mouser Electronics

Authorized Distributor

Click to View Pricing, Inventory, Delivery & Lifecycle Information:

[Molex:](#)

[35270-0410](#)