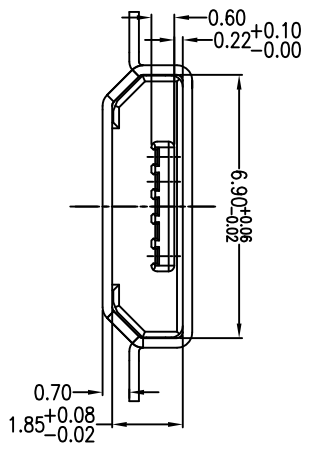
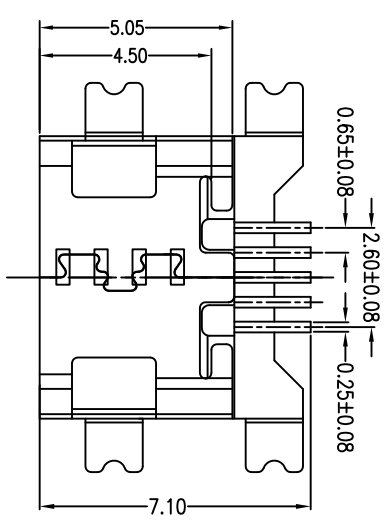
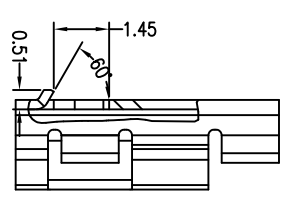
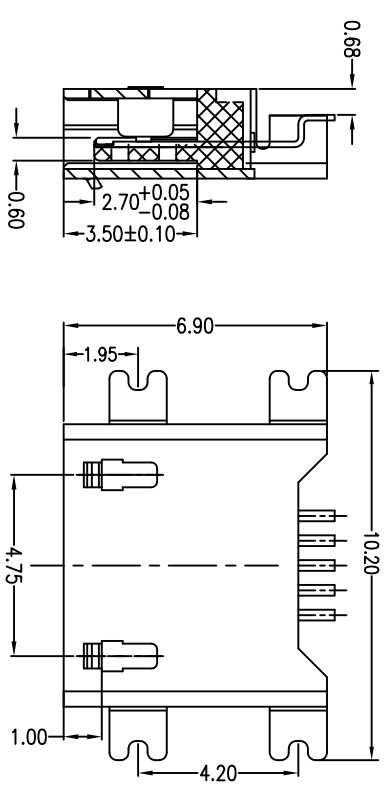
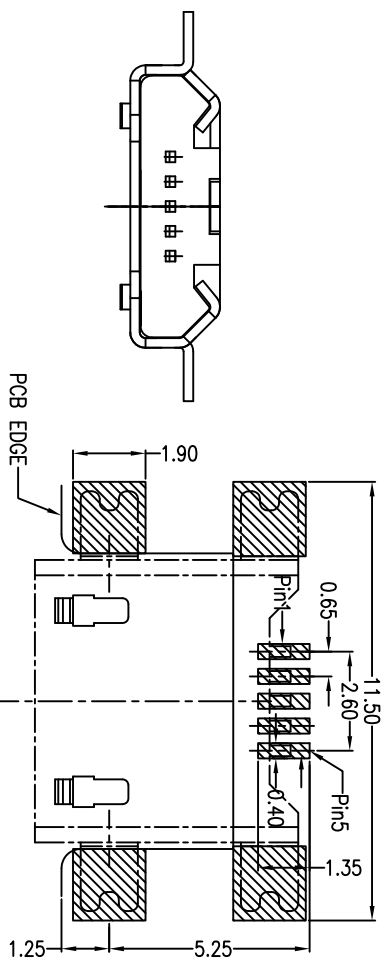


MAPX	MODIFICATION	DATE
------	--------------	------

- Note:
- Material:
    - Housing: High temperature thermoplastic with g.f.U194v-0
    - Contact: copper alloy,t=0.15mm
    - Shell: copper alloy or SUS,t=0.25mm
  - Specification:
    - Current rating:1.5PIN 1.8A Max/2.3,4PIN 1A Max.
    - Dielectric withstanding voltage: 100 V(ac) for 1 min.
    - Contact resistance: 30 mΩ Max.
    - Insulation resistance: 100 MΩ Min.
    - Total mating force: 3.57 Kgf Max.
    - Total unmating force: 1.0 Kgf Min.
    - Temperature range: -30C~80C



产品图  
PRODUCT CHART DWG

深圳市精拓金电子有限公司

公差一览表		单位		制图		制图料号	
TOLERANCE UNLESS OTHERWISE	UNITS	DRAWING	MM	Gavin	9-522B02S-50	PRODUCT PART NO.	9-522B02S-50
X ±0.35	X ±5°	审核	1:1	郭治富	产品名称	PRODUCT NO.	MICRO USB 5S 破板式0.7无边
X ±0.30	X ±2°	CHKD	SCALE	核准	黄国荣	角法	VER
XX ±0.20	XX ±1°	DATE	2016-09-09	APPR		版本	AD
XXX ±0.10	XXX ±0.5°						