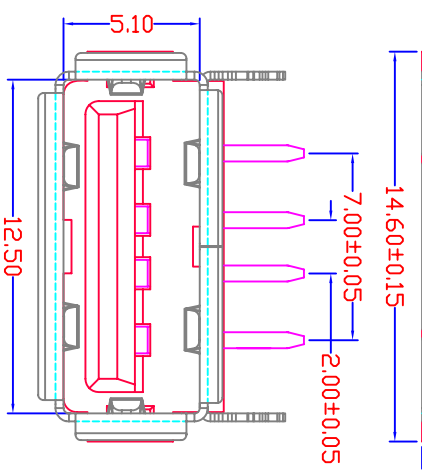
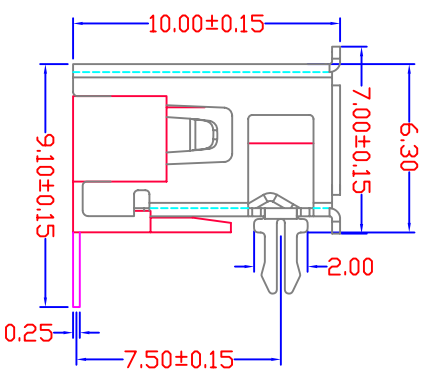
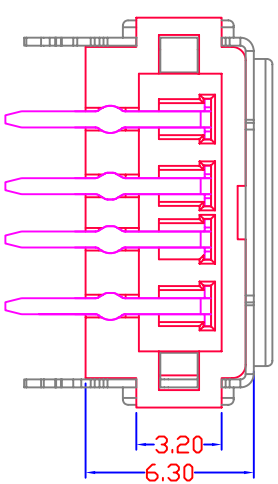


MAPX	MODIFICATION	DATE
------	--------------	------



Specification:

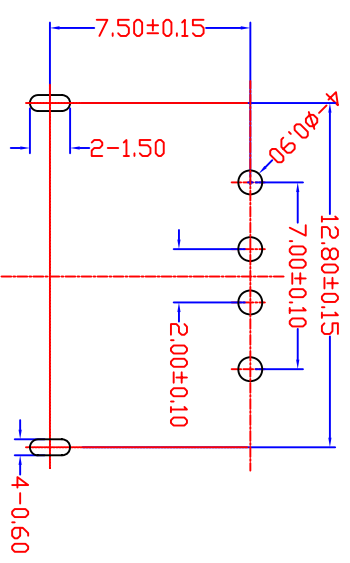
- Electrical Characteristics:**
Dielectric Withstanding Voltage: AC 500V/1MINUTE.
Insulation Resistance: 1000 MΩ/Min.
Contact Resistance: 30 mΩ) Max.
- Mechanical Characteristics:**
INSERTION FORCE: 30N(3.06kgf) MAX
EXTRACTION FORCE: 10~30N(1.02~3.06kgf)
Durability:1500cycles,EXTRACTION FORCE:10~30N(1.02~3.06kgf)

3. Material:

Terminal: Phosphor Bronze, C5191/C2680R-EH T=0.25
Plating: Gold 0.76 um Min plating over 1.27 um Min Nickel underplate, 2.54 um Min Sn selective plating on solder tail;
Shell: Bronze, C2680R-H =0.30mm
Plating: Nickel underplate 2.54 um Min;
Housing: LCP Black

4.Environmental:

Operating Temperature: 0°C to +85°C.



RECOMMENDED P.C.B LAYOUT

产品图
PRODUCT CHART DWG
公差一覽表
TOLERANCE UNLESS OTHERWISE

X	±0.30	X	±5°	单位	MM	制图	Z-Y-B	制图料号	JTJ-USB-AV/F-10.0-026
X	±0.25	X	±2°	比例	1:1	审核		产品名称	USB A/F SMT 短体前两脚有边
XX	±0.15	XX	±1°	日期	2012041	核准		PRODUCT NO	
XXX	±0.10	XXX	±0.5°	DATE		APRD		角法	版本
								VIEW	VER
									AD

1 2 3 4 5 6 7 8 9 10
G F E D C B A
G F E D C B A

深圳市精拓金电子有限公司