

MAPX	MODIFICATION	DATE

Specification:

- Electrical Characteristics:**
Dielectric Withstanding Voltage: AC 500V/1MINUTE.
Insulation Resistance: 1000 MΩ/Min.
Contact Resistance: 30 mΩ) Max.

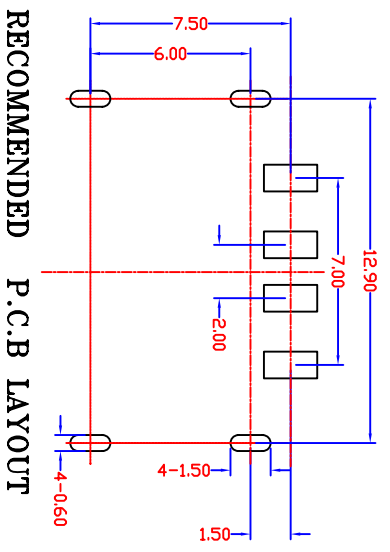
- Mechanical Characteristics:**
INSERTION FORCE: 30N(3.06kgf) MAX
EXTRACTION FORCE: 10~30N(1.02~3.06kgf)
Durability:1500cycles.EXTRACTION FORCE:10~30N(1.02~3.06kgf)

3. Material:

Terminal: Phosphor Bronze, C5191/C2680R-EH T=0.25
Plating: Gold 0.76 um Min plating over 1.27 um Min Nickel underplate, 2.54 um Min Sn selective plating on solder tail;
Shell: Bronze, C2680R-H =0.30mm
Plating: Nickel underplate 2.54 um Min;

4.Environmental:

Housing: LCP Black
Operating Temperature: 0°C to +85°C.



RECOMMENDED P.C.B LAYOUT

产品图
PRODUCT CHART DWG

深圳市精拓金电子有限公司

公差一览表		单位		制图		制图料号	
TOLERANCE UNLESS OTHERWISE	UNITS	MM	DRAWING	Z-Y-B	PRODUCT PART NO	JTY -USB-A/F-10.0-030	
X ±0.15	X	±5°					
X ±0.10	X	±2°	比例				
XX ±0.05	XX	±1°	SCALE				
XXX ±0.03	XXX	±0.5°	日期				
			DATE	2012.04.1	核准		
					APPD		