

MAPX	MODIFICATION	DATE
------	--------------	------

Specification:

1. Electrical Characteristics:

Dielectric Withstanding Voltage: AC 500V/1MINUTE.

Insulation Resistance: 1000 MΩ/Min.

Contact Resistance: 30 mΩ Max.

2. Mechanical Characteristics:

INSERTION FORCE: 30N(3.06Kgf) MAX

EXTRACTION FORCE: 10~30N(1.02~3.06Kgf)

Durability: 1500cycles. EXTRACTION FORCE: 10~30N(1.02~3.06Kgf)

3. Material:

Terminal: Phosphor Bronze, C5191/C2680R-EH T=0.25

Plating: Gold 0.76 um Min plating over 1.27 um Min Nickel underplate, 2.54 um Min Sn selective plating on solder tail;

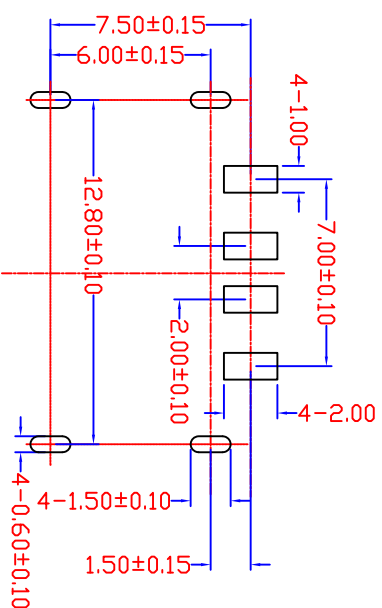
Shell: Bronze, C2680R-H =0.30mm

Plating: Nickel underplate 2.54 um Min;

Housing: LCP Black

4. Environmental:

Operating Temperature: 0°C to +85°C.



RECOMMENDED P.C.B LAYOUT

SMT/胶芯T=6.00

深圳市精拓金电子有限公司

产品图

PRODUCT CHART DWG

公差一览表

TOLERANCE	UNLESS	OTHERWISE
X	±0.30	X
X	±0.25	X
XX	±0.15	XX
XXX	±0.10	XXX

单位	MM	制图	Z-Y-B	制图料号	JT1-USB-A/F-10.0-020
UNITS	MM	DRAWING	Z-Y-B	PRODUCT NO.	JT1-USB-A/F-10.0-020
比例	1:1	审核		产品名称	USB A/F SMT 短体四脚有边
SCALE	1:1	CHKD		PRODUCT NO.	USB A/F SMT 短体四脚有边
日期	2012.04.1	核准		角法	
DATE	2012.04.1	APPD		VIEW	
				版本	A0
				VER	A0