

MAPX	MODIFICATION	DATE
------	--------------	------

Specification:

1. Electrical Characteristics:

Dielectric Withstanding Voltage: AC 500V/1MINUTE.
 Insulation Resistance: 1000 MQ/MIn.
 Contact Resistance: 30 mΩ Max.

2. Mechanical Characteristics:

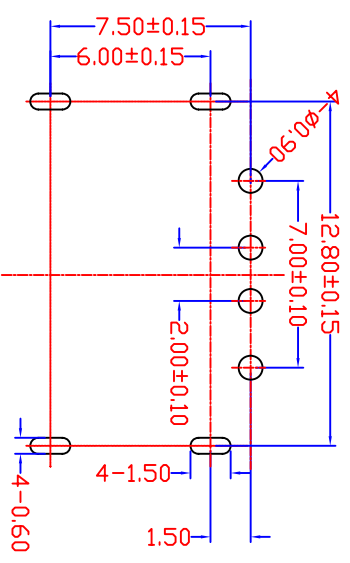
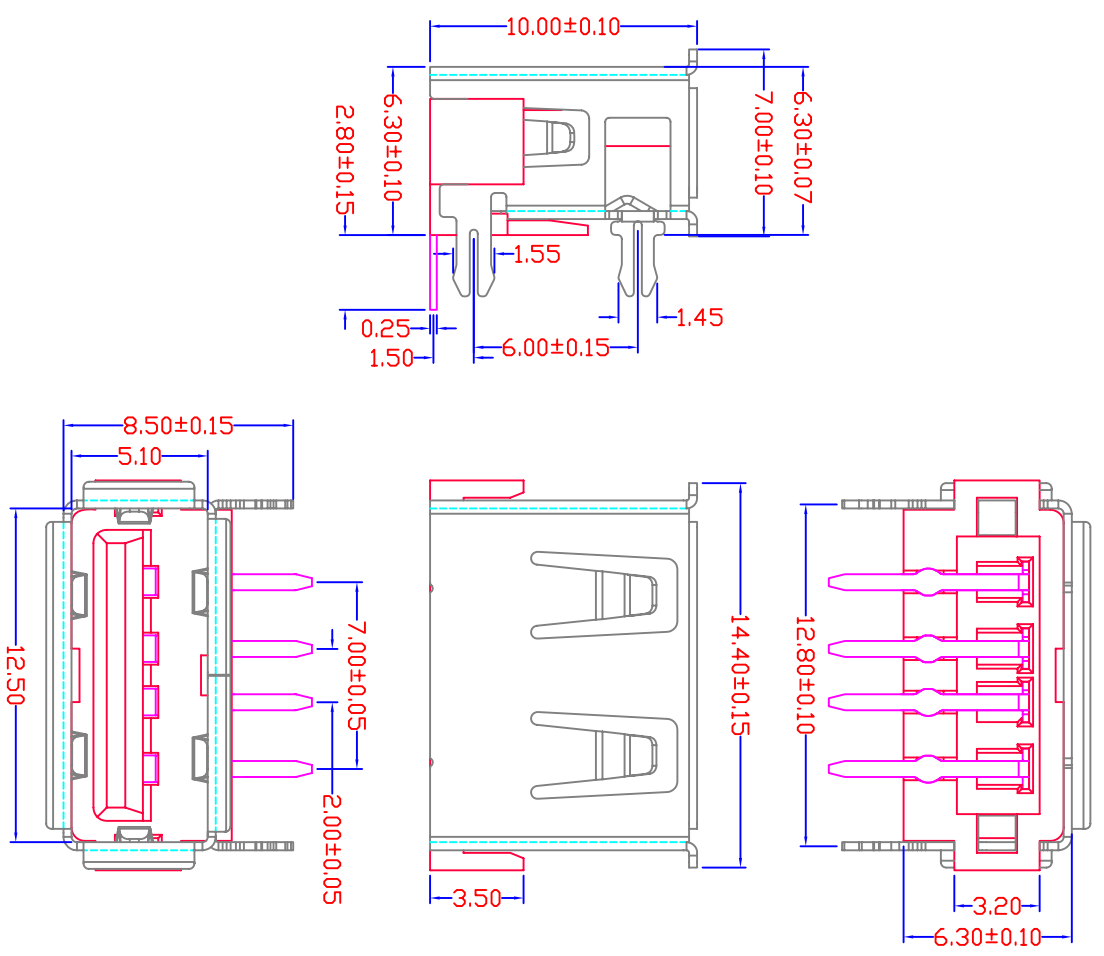
INSERTION FORCE: 30N(3.06Kgf) MAX
 EXTRACTION FORCE: 10~30N(1.02~3.06Kgf)
 Durability: 1500cycles. EXTRACTION FORCE: 10~30N(1.02~3.06Kgf)

3. Material:

Terminal: Phosphor Bronze, C5191/C2680R-EH T=0.25
 Plating: Gold 0.76 um Min plating over 1.27 um Min Nickel underplate, 2.54 um Min Sn selective plating on solder tail;
 Shell: Bronze, C2680R-H =0.30mm
 Plating: Nickel underplate 2.54 um Min;
 Housing: LCP Black

4. Environmental:

Operating Temperature: 0°C to +85°C.



RECOMMENDED P.C.B LAYOUT

<p>产品图 PRODUCT CHART DWG</p>		<p>公差一览表 TOLERANCE UNLESS OTHERWISE</p>		<p>单位 UNITS</p>		<p>制图 DRAWING</p>		<p>制图料号 PRODUCT PART NO</p>	
X	±0.30	X	±5°	MM	Z-Y-B	JTJ-USB-A/F-10.0-020			
X	±0.25	X	±2°	1:1	审核 CHKD	产品名称 PRODUCT NAME	USB A/F SMT 短体四脚有边		
XX	±0.15	XX	±1°	日期 DATE	核准 APPD	角法 VIEW	版本 VER		
XXX	±0.10	XXX	±0.5°	2022.04.1			AD		

深圳市精拓金电子有限公司

1 2 3 4 5 6 7 8 9 10