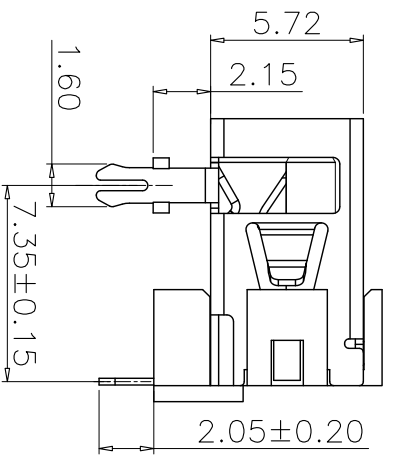
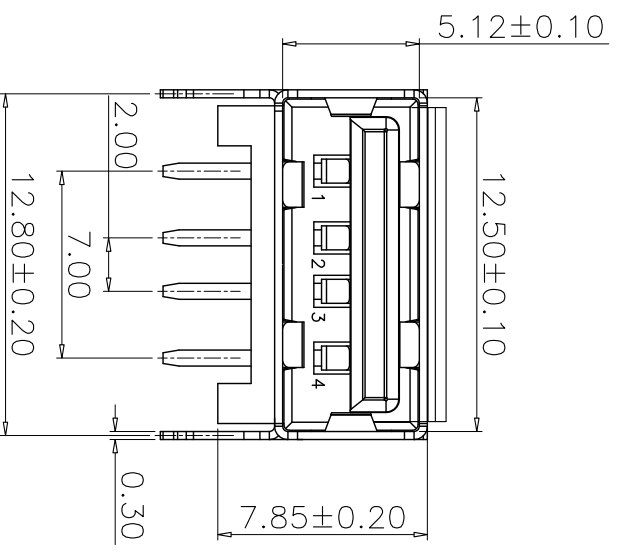
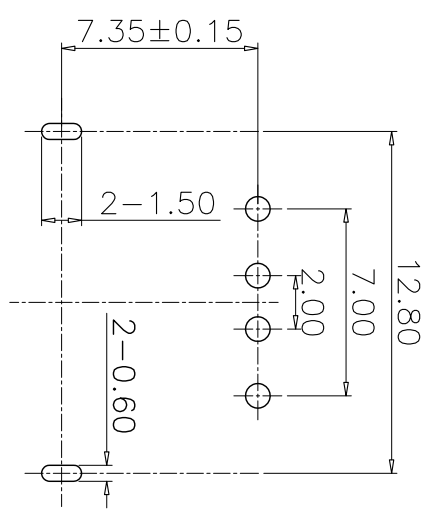
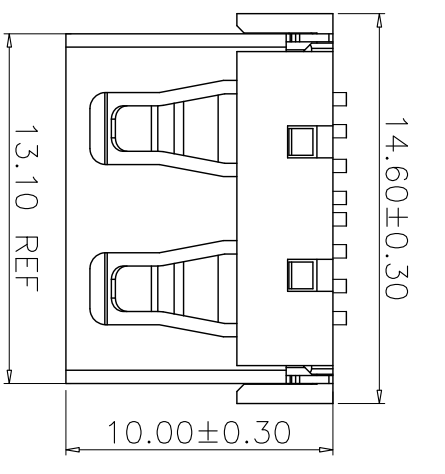


MAPX	MODIFICATION	DATE



PCB HOLES(THE PATTERN SIDE) t=1.6mm
NOTE:GENERAL TOLERANCE:±0.1mm

NOTES:
1. HOUSING: SEE NOTES,
TERMINAL: SEE NOTES.
SHELL: SEE NOTES.

SPECIFICATION:

1. ELECTRICAL CHARACTERISTIC:
CONTACT RESISTANCE: 30MΩ MAX
DIELECTRIC WITHSTANDING VOLTAGE: 500V AC FOR 1MIN
INSULATION RESISTANCE: 1000MΩ MIN

2. MECHANICAL CHARACTERISTIC:
INSERTION FORCE: 35N(3.57KGF) MAX
EXTRACTION FORCE: 10~35N(1.02~3.57KGF) MIN
DURABILITY: 1500 CYCLES EXTRACTION FORCE:10~35N
5000 CYCLES MIN
5000 CYCLES EXTRACTION FORCE:3~35N

3. ENVIRONMENTAL:
OPERATING TEMPERATURE: -55°C+85°C

4. Contact finish:
01:Selective Gold Flash
02:Selective Gold 3U"
03:Selective Gold 5U"
04:Selective Gold 15U"
05:Selective Gold 30U"

产品图

深圳市精拓金电子有限公司

公差一览表		单位	制图	制图料号
TOLERANCE TABLE		UNITS	DRAWING	PRODUCT NAME
X	±0.25	MM	审核	USB A/F /90°/DIP/10.0mm
.X	±0.20	MM	核准	
.XX	±0.15	MM		
.XXX	±0.10	MM		
		比例	日期	角法
		SCALE	DATE	VER
		1:1	2015.02.04	A0