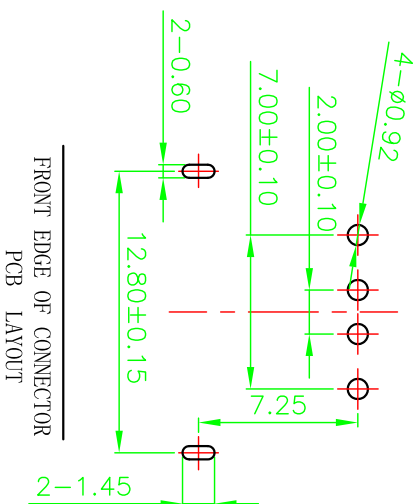
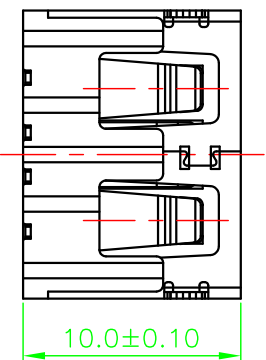
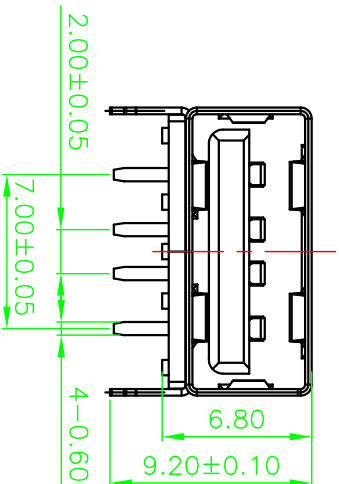
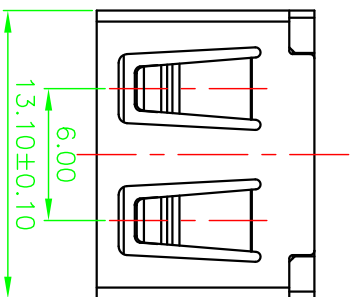
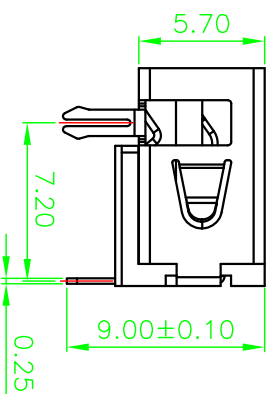


ROHS



FRONT EDGE OF CONNECTOR  
PCB LAYOUT



- Note:
- Material:
    - Housing: High temperature thermoplastic with/black G/F,UL94V-0
    - Contact: copper alloy,t=0.25mm
    - Shell: copper/Ferroalloy alloy,t=0.30mm
  - Specification:
    - Current rating:1.5A Max.
    - Dielectric withstanding voltage: 100 V(ac) for 1 min.
    - Contact resistance: 30 mΩ Max.
    - Insulation resistance: 100 MΩ Min.
    - Total mating force: 3.57 Kgf Max.
    - Total unmating force: 1.0 Kgf Min.
  - Finish:
    - Contact: Plated Gold in Mating Area; Tin On Solder Tails
    - Shell: Nickel Plating
  - Environmental:
    - Temperature range: -55°C~85°C

产品图

深圳市精拓金电子有限公司

公差一览表

TOLERANCE UNLESS OTHERWISE	
X	±0.35 X
.X	±0.20 .X
.XX	±0.10 .XX
.XXX	±0.05 .XXX

单位	制图	制图料号
MM	许榕强	
比例	审核	产品名称
1:1	郭治富	USB A/B 90° DTP C款 反向 前两脚
日期	核准	角法
2016-09-09	黄国荣	版本
		A0