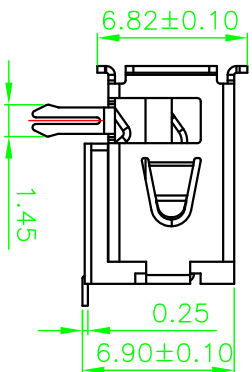
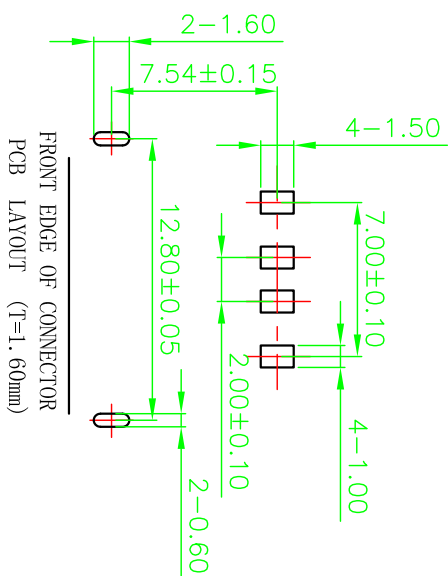
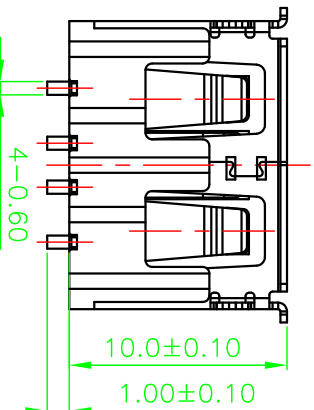
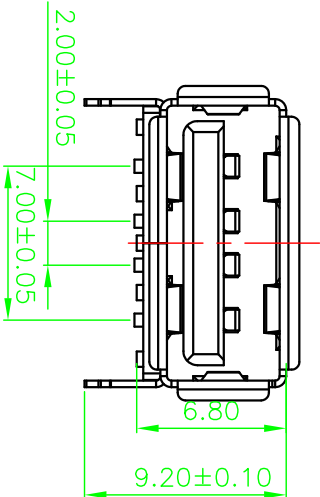
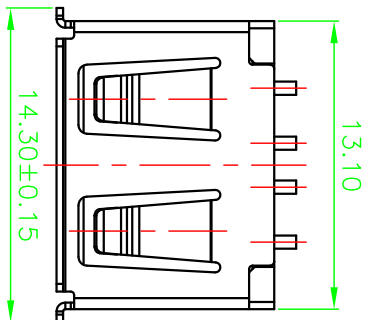


ROHS



产品图

深圳市精拓金电子有限公司

公差一览表

图例料号

公差一览表	图例料号
TOLERANCE UNLESS OTHERWISE:	UNIT
X. ±0.35	X. ±5.°
Y. ±0.20	X. ±2.°
.XX ±0.10	.XX ±1.°
.XXX ±0.05	.XXX ±0.5°

DATE	APPROV	DATE	APPROV
2016-09-09	郭治富	2016-09-09	郭治富
	黄国荣		黄国荣

Note:

1. Material:
 - 1.1, Housing: High temperature thermoplastic with/black G/F, UL94V-0
 - 1.2, Contact: copper alloy, t=0.25mm
 - 1.3, Shell: copper/Ferroalloy alloy, t=0.30mm
2. Specification:
 - 2.1, Current rating: 1.5A Max.
 - 2.2, Dielectric withstanding voltage: 100 V(ac) for 1 min.
 - 2.3, Contact resistance: 30 mΩ Max.
 - 2.4, Insulation resistance: 100 MΩ Min.
 - 2.5, Total mating force: 3.57 Kgf Max.
 - 2.6, Total unmating force: 1.0 Kgf Min.
3. Finish:
 - 3.1, Contact: Plated Gold in Mating Area: Tin On Solder Tails
 - Shell: Nickel Plating
4. Environmental:
 - 4.1, Temperature range: -55°C~85°C

MAPX

MODIFICATION

DATE