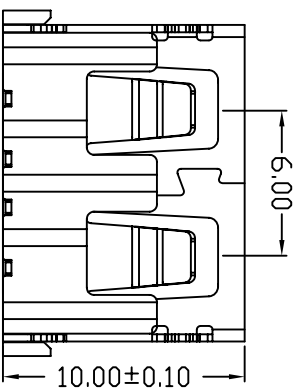
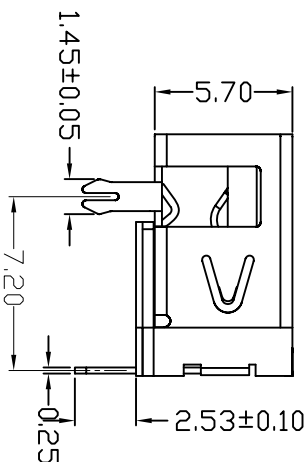
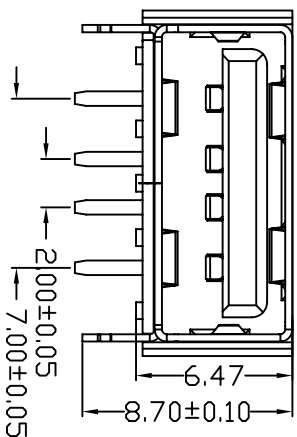
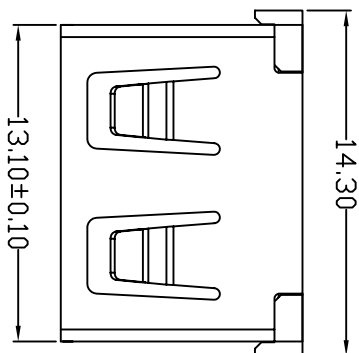


D款, 正向10.0前两脚, DIP-*6.50



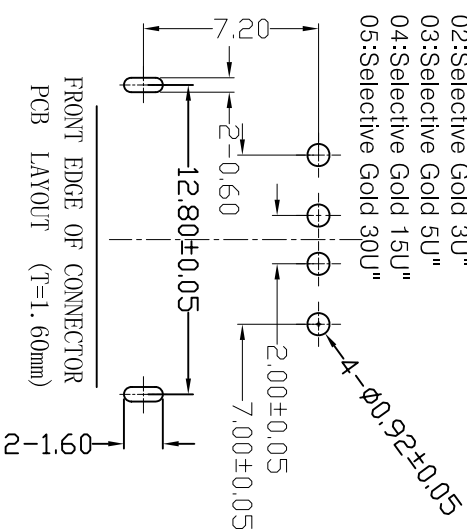
MAPX	MODIFICATION	DATE
------	--------------	------

NOTES:
 1. HOUSING: SEE NOTES, UL94V-0.
 TERMINAL: SEE NOTES.
 SHELL: SEE NOTES.

SPECIFICATION:
 1. ELECTRICAL CHARACTERISTIC:
 CONTACT RESISTANCE: 30MΩ MAX
 DIELECTRIC WITHSTANDING VOLTAGE: 500V AC FOR 1MIN
 INSULATION RESISTANCE: 1000MΩ MIN
 2. MECHANICAL CHARACTERISTIC:
 INSERTION FORCE: 35N(3.57KGF) MAX
 EXTRACTION FORCE: 10~35N(1.02~3.57KGF)/MIN
 DURABILITY: 1500 CYCLES EXTRACTION FORCE: 10~35N
 5000 CYCLES MIN

3. ENVIRONMENTAL:
 OPERATING TEMPERATURE: -55°C+85°C
 4. Contact finish:

- 01: Selective Gold Flash
- 02: Selective Gold 3U"
- 03: Selective Gold 5U"
- 04: Selective Gold 15U"
- 05: Selective Gold 30U"



产品图

深圳市精拓金电子有限公司

公差一览表		单位		制图		制图料号	
TOLERANCE	UNLESS OTHERWISE	UNITS	MM	DRAWING	Z-Y-B	PRODUCT PART NO.	JTY-1-USB-10.0-002
X	±0.15	X	±5°	审核		产品名称	USB A/F 10.0 正向前两脚鱼叉(方弹)
X	±0.10	X	±2°	CHKD		PRODUCT NO.	
XX	±0.05	XX	±1°	核准		角法	
XXX	±0.03	XXX	±0.5°	APPR		版本	AD
DATE	2012/09/24	DATE				VER	

G 1 2 3 4 5 6 7 8 9 10 G

F E D C B A