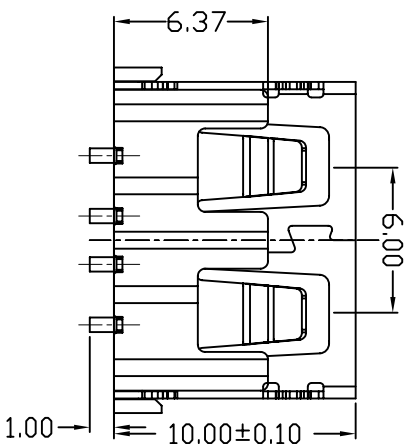
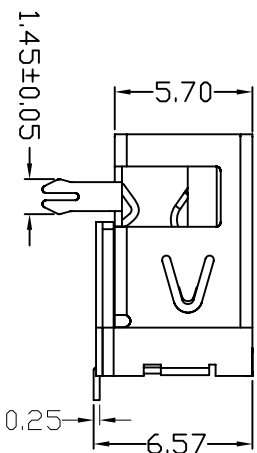
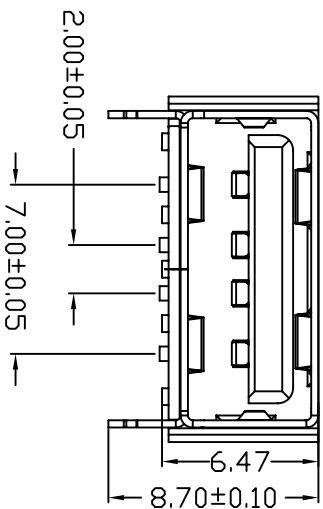
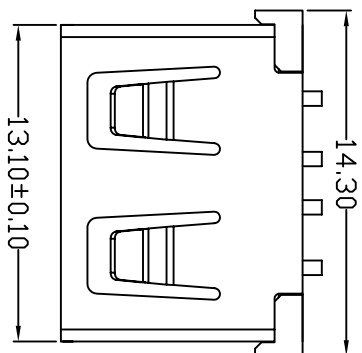


D款, 正向10.0前两脚, SMT-*6.50



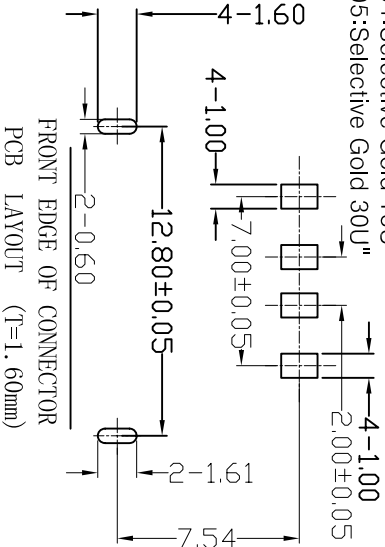
MAPX	MODIFICATION	DATE
------	--------------	------

NOTES:
 1. HOUSING: SEE NOTES, UL94V-0.
 TERMINAL: SEE NOTES.
 SHELL: SEE NOTES.

SPECIFICATION:
 1. ELECTRICAL CHARACTERISTIC:
 CONTACT RESISTANCE: 30MΩ MAX
 DIELECTRIC WITHSTANDING VOLTAGE: 500V AC FOR 1MIN
 INSULATION RESISTANCE: 1000MΩ MIN
 2. MECHANICAL CHARACTERISTIC:
 INSERTION FORCE: 35N(3.57KGf) MAX
 EXTRACTION FORCE: 10~35N(1.02~3.57KGf)/MIN
 DURABILITY: 1500 CYCLES EXTRACTION FORCE: 10~35N
 5000 CYCLES MIN

3. ENVIRONMENTAL:
 OPERATING TEMPERATURE: -55°C+85°C

4. Contact finish:
 01: Selective Gold Flash
 02: Selective Gold 3U"
 03: Selective Gold 5U"
 04: Selective Gold 15U"
 05: Selective Gold 30U"



深圳市精拓金电子有限公司

产品图		制图料号	
公差一览表		JTJ-USB-10.0-003	
TOLERANCE UNLESS OTHERWISE	UNIT	DRAWING	PRODUCT PART NO.
X ±0.15	X	MM	Z-Y-B
X ±0.10	X	比例	1:1
XX ±0.05	XX	日期	2012.09.24
XXX ±0.03	XXX	DATE	2012.09.24
		审核	核准
		CHD	APPD
		角度	版本
		VIEW	VER
			AD