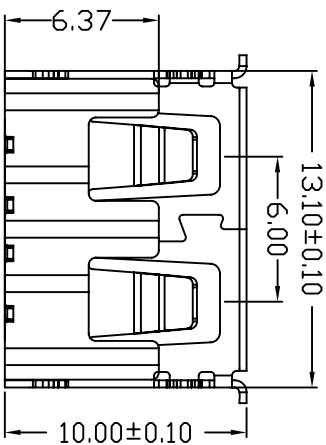
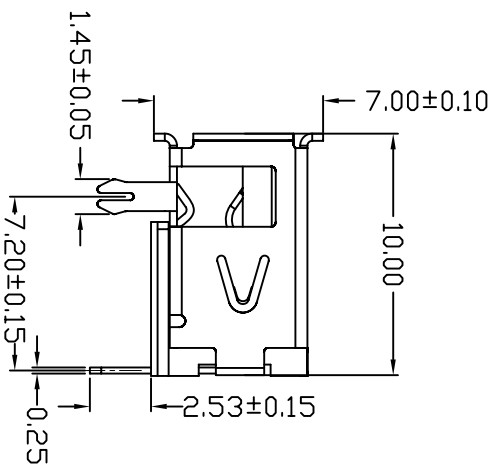
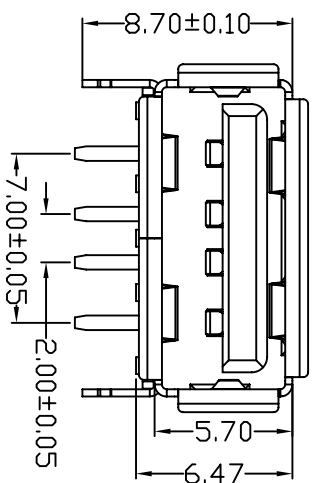
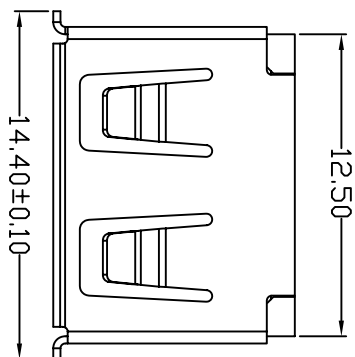


D款, 正向10.0前两脚, DIP-*6.50



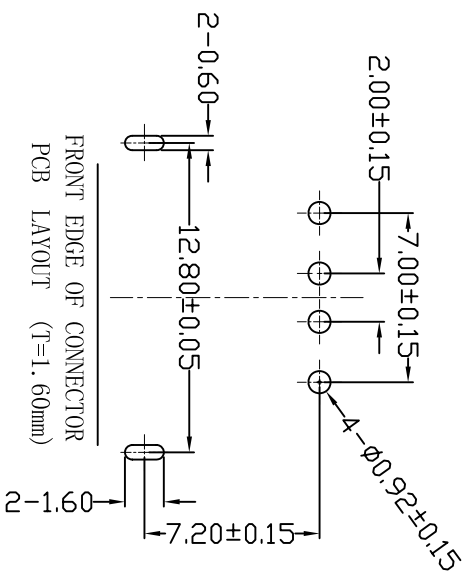
MAPX	MODIFICATION	DATE
------	--------------	------

NOTES:
 1. HOUSING: SEE NOTES, UJ94V-0.
 TERMINAL: SEE NOTES.
 SHELL: SEE NOTES.

SPECIFICATION:
 1. ELECTRICAL CHARACTERISTIC:
 CONTACT RESISTANCE: 30MΩ MAX
 DIELECTRIC WITHSTANDING VOLTAGE: 500V AC FOR 1MIN
 INSULATION RESISTANCE: 1000MΩ MIN
 2. MECHANICAL CHARACTERISTIC:
 INSERTION FORCE: 35N(3.57KGf) MAX
 EXTRACTION FORCE: 10~35N(1.02~3.57KGf) MIN
 DURABILITY: 1500 CYCLES EXTRACTION FORCE: 10~35N
 5000 CYCLES MIN

3. ENVIRONMENTAL:
 OPERATING TEMPERATURE: -55°C~+85°C
 4. Contact finish:

- 01: Selective Gold Flash
- 02: Selective Gold 3U"
- 03: Selective Gold 5U"
- 04: Selective Gold 15U"
- 05: Selective Gold 30U"



FRONT EDGE OF CONNECTOR
 PCB LAYOUT (T=1.60mm)

深圳市精拓金电子有限公司

产品图
 PRODUCT CHART DWG

公差一览表

TOLERANCE	UNLESS	OTHERWISE
X	±0.15	X
X	±0.10	X
XX	±0.05	XX
XXX	±0.03	XXX

公差一览表	单位	MM	制图	Z-Y-B	制图料号
±5°	UNITS	MM	DRAWING	Z-Y-B	JTY-USB-10.6-001
±2°	SCALE	1:1	审核		产品名称
±1°	DATE	2012.09.24	核准		PRODUCT NO
±0.5°			APPD		角法
					版本
					AD

1 2 3 4 5 6 7 8 9 10