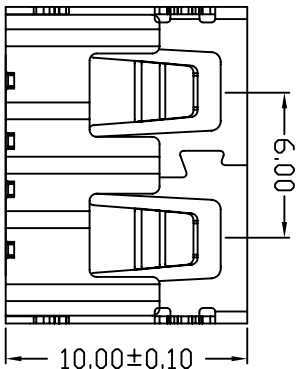
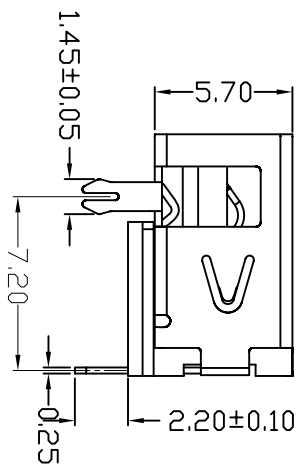
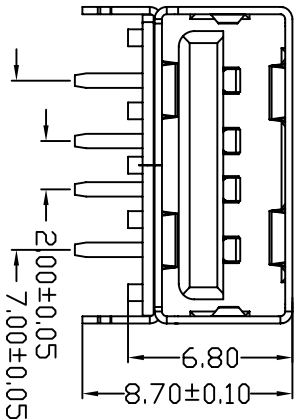
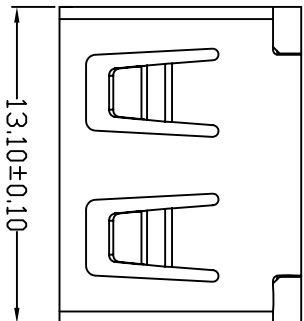


# D款, 反向10.0前两脚, DIP-\*6.80



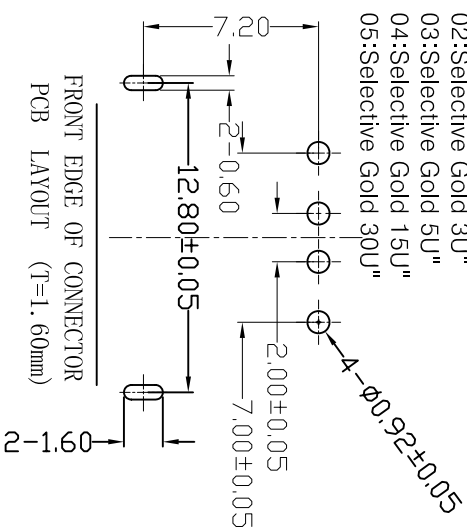
MAPX	MODIFICATION	DATE
------	--------------	------

NOTES:  
 1. HOUSING: SEE NOTES, UL94V-0 .  
 TERMINAL: SEE NOTES.  
 SHELL: SEE NOTES.

SPECIFICATION:  
 1. ELECTRICAL CHARACTERISTIC:  
 CONTACT RESISTANCE: 30MΩ MAX  
 DIELECTRIC WITHSTANDING VOLTAGE: 500V AC FOR 1MIN  
 INSULATION RESISTANCE: 1000MΩ MIN  
 2. MECHANICAL CHARACTERISTIC:  
 INSERTION FORCE: 35N(3.57KGF) MAX  
 EXTRACTION FORCE: 10~35N(1.02~3.57KGF)/MIN  
 DURABILITY: 1500 CYCLES EXTRACTION FORCE: 10~35N  
 5000 CYCLES MIN

3. ENVIRONMENTAL:  
 OPERATING TEMPERATURE: -55°C+85°C  
 4. Contact finish:

- 01: Selective Gold Flash
- 02: Selective Gold 3U"
- 03: Selective Gold 5U"
- 04: Selective Gold 15U"
- 05: Selective Gold 30U"



## 产品图

## 深圳市精拓金电子有限公司

PRODUCT CHART DWG		公差一览表		单位		制图		制图料号	
TOLERANCE	UNLESS OTHERWISE	UNITS	OTHERWISE	MM	DRAWING	Z-Y-B	PRODUCT PART NO	JTJ-1-USB-10.0-002	
X	±0.15	X	±5°	比例	审核		产品名称	USB A/F 10.0无选前脚鱼叉(方弹)	
X	±0.10	X	±2°	日期	核准		PRODUCT NO	角法	
XX	±0.05	XX	±1°	DATE	APPR		VIEW	版本	
XXX	±0.03	XXX	±0.5°					AD	

1 2 3 4 5 6 7 8 9 10