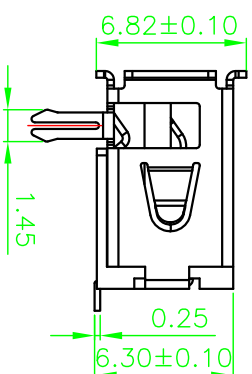
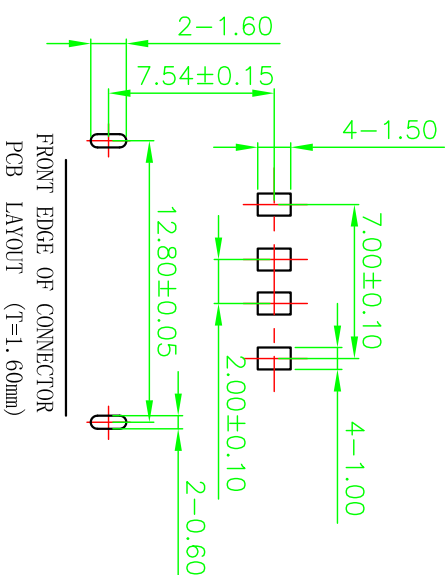
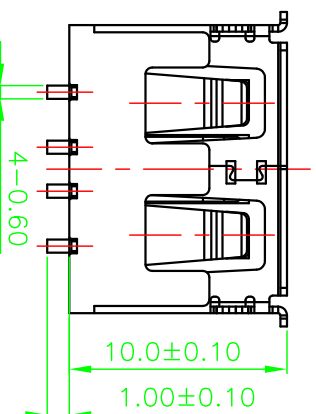
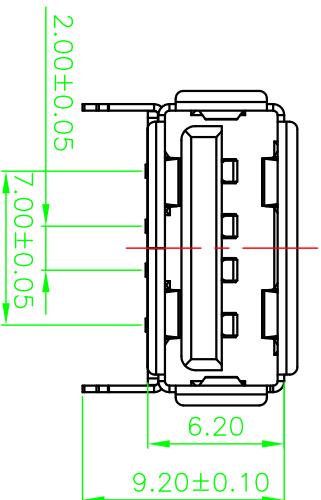
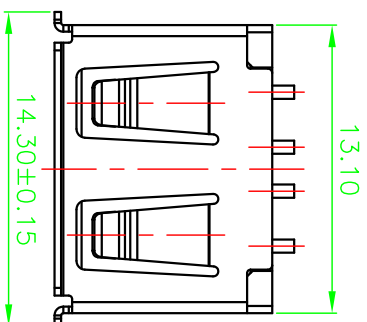


ROHS



产品图

公差一览表

TOLERANCE UNLESS OTHERWISE	公差一览表
X. ±0.35	X. ±5.°
.X ±0.20	.X ±2.°
.XX ±0.10	.XX ±1.°
.XXX ±0.05	.XXX ±0.5°

深圳市精拓金电子有限公司

UNIT	MM	制图	许榕强	制图料号	PRODUCT PART NO.
比例	1:1	审核	郭治富	产品名称	USB A/F SMT C款 反向 前脚脚
日期	2016-09-09	核准	黄国荣	角法	右边 H6.2mm
DATE		APPRO		版本	A0

- Note:
1. Material:
    - 1.1, Housing: High temperature thermoplastic with/black G/F, UL94V-0
    - 1.2, Contact: copper alloy, t=0.25mm
    - 1.3, Shell: copper/Ferroalloy alloy, t=0.30mm
  2. Specification:
    - 2.1, Current rating: 1.5A Max.
    - 2.2, Dielectric withstanding voltage: 100 V(ac) for 1 min.
    - 2.3, Contact resistance: 30 mΩ Max.
    - 2.4, Insulation resistance: 100 MΩ Min.
    - 2.5, Total mating force: 3.57 Kgf Max.
    - 2.6, Total unmating force: 1.0 Kgf Min.
  3. Finish:
    - 3.1, Contact: Plated Gold in Mating Area: Tin On Solder Tails
    - Shell: Nickel Plating
  4. Environmental:
    - 4.1, Temperature range: -55°C~85°C