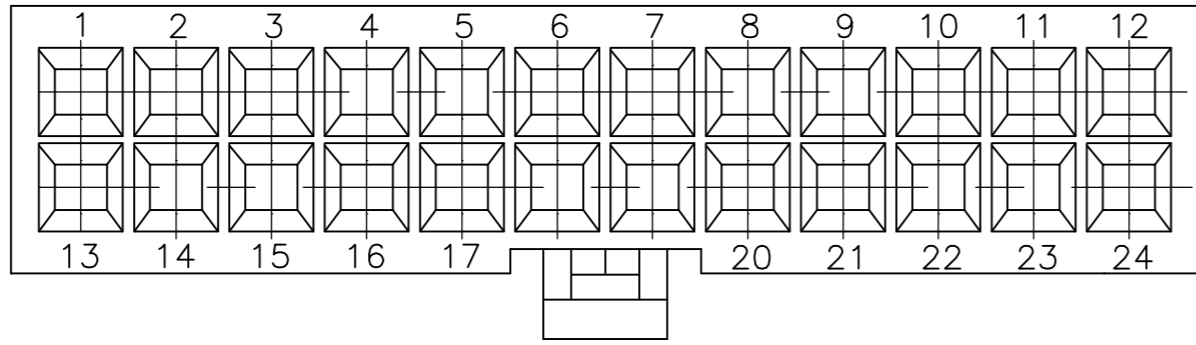
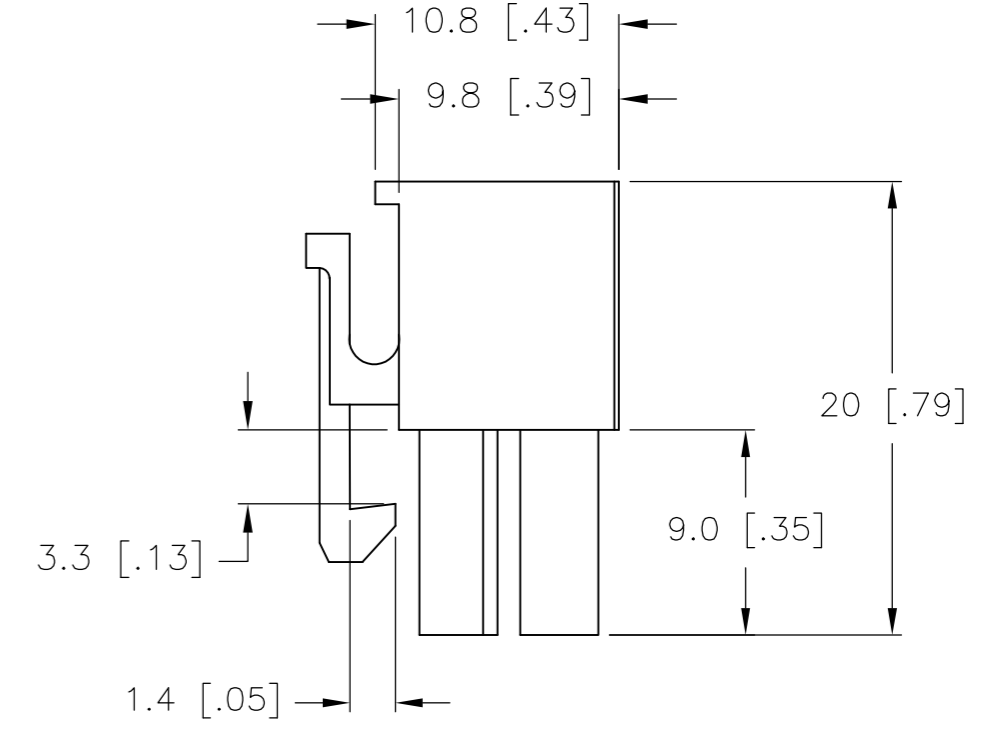
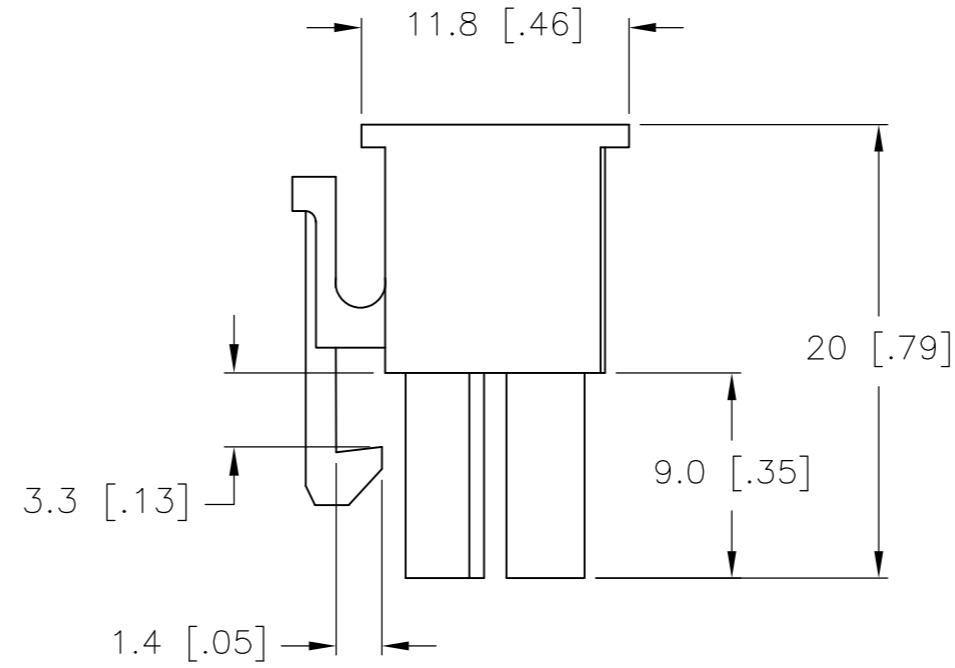
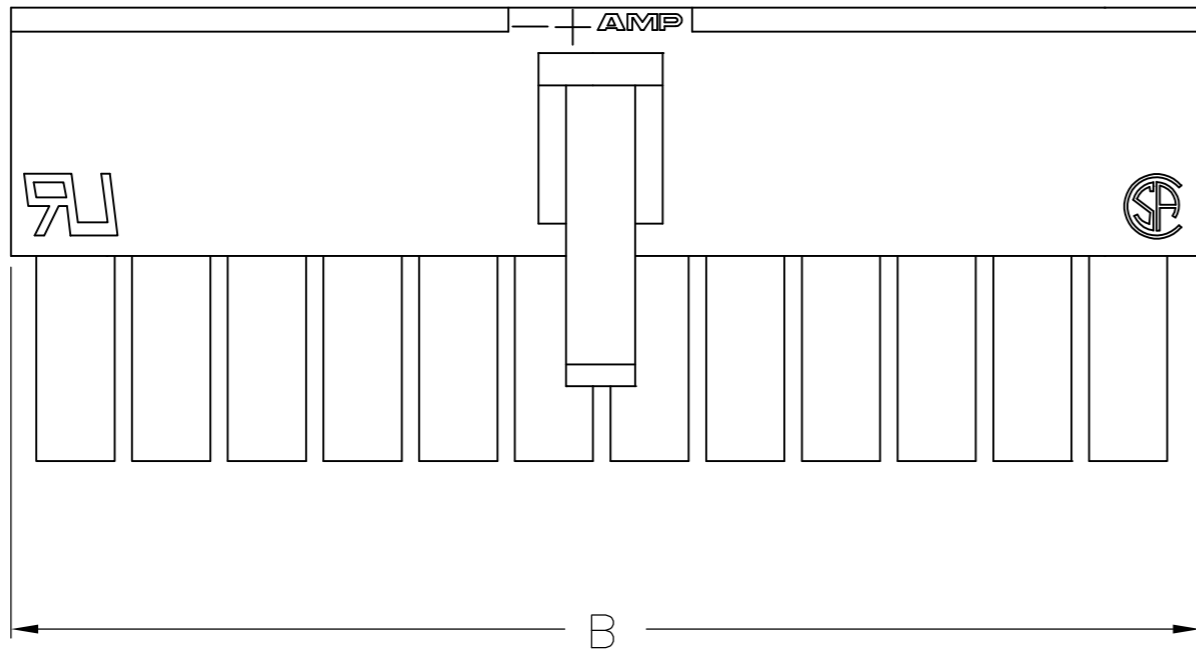


THIS DRAWING IS UNPUBLISHED. RELEASED FOR PUBLICATION  
 © COPYRIGHT - By - ALL RIGHTS RESERVED.

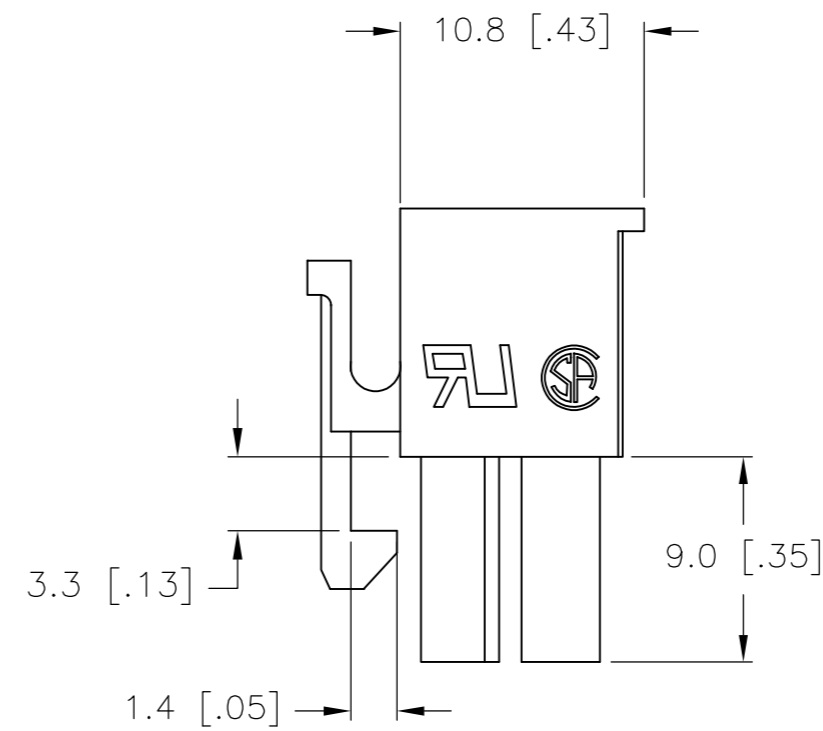
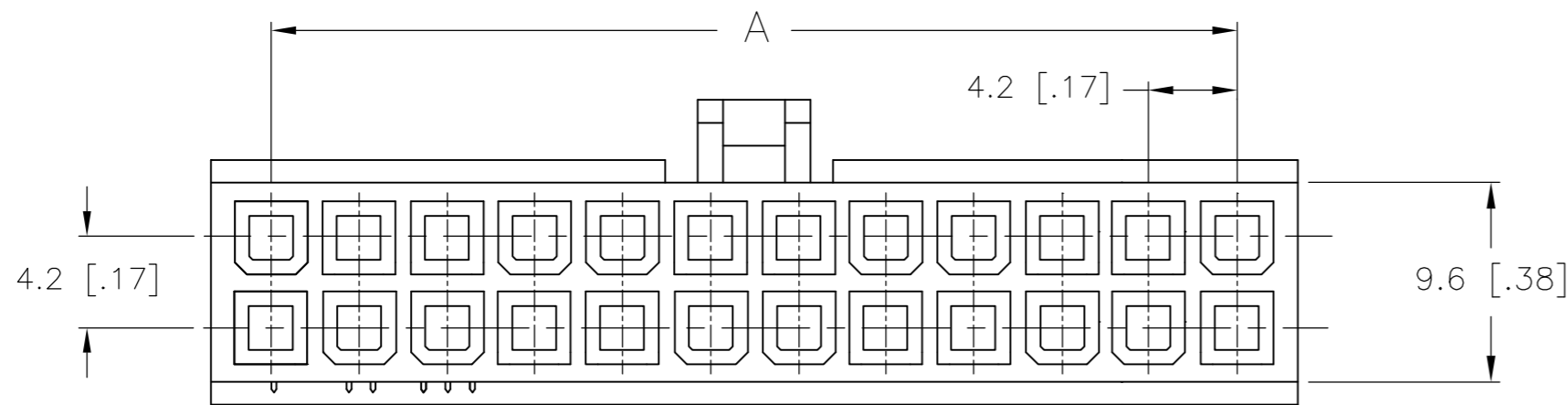
LOC		DIST		REVISIONS			
P	LTR	DESCRIPTION		DATE	DWN	APVD	
CM	00	C1	REVISED PER ECR-15-018478		07JAN2016	NK	DC



△ 1 MATERIAL: NYLON, UL94V-0.



ONLY FOR 5-1586019-8



ONLY FOR 1586019-2

5.4	-	2	1586019-2
9.6	4.2	4	1586019-4
13.8	8.4	6	1586019-6
18.0	12.6	8	1586019-8
22.2	16.8	10	1-1586019-0
26.4	21.0	12	1-1586019-2
30.6	25.2	14	1-1586019-4
34.8	29.4	16	1-1586019-6
39.0	33.6	18	1-1586019-8
43.2	37.8	20	2-1586019-0
47.4	42.0	22	2-1586019-2
51.6	46.2	24	2-1586019-4
18.0	12.6	8	5-1586019-8
DIM B	DIM A	POS.	PART NUMBER

THIS DRAWING IS A CONTROLLED DOCUMENT.		DWN	19-AUG-2002		
DIMENSIONS:		CHK	19-AUG-2002		
mm [INCHES]		APVD	19-AUG-2002		
TOLERANCES UNLESS OTHERWISE SPECIFIED:		PRODUCT SPEC	108-2112		
0 PLC ±	1 PLC ± 0.4 [.02]	APPLICATION SPEC	114-13172	NAME	RECEPTACLE HOUSING, VO, VAL-U-LOK(TM)
2 PLC ± 0.25 [.010]	3 PLC ± 0.150 [.0059]	WEIGHT		SIZE	A2
4 PLC ±	ANGLES ±	CAGE CODE	00779	DRAWING NO	C=1586019
MATERIAL	FINISH	RESTRICTED TO		SCALE	3:1
△ 1			CUSTOMER DRAWING	SHEET	1 OF 1
				REV	C1