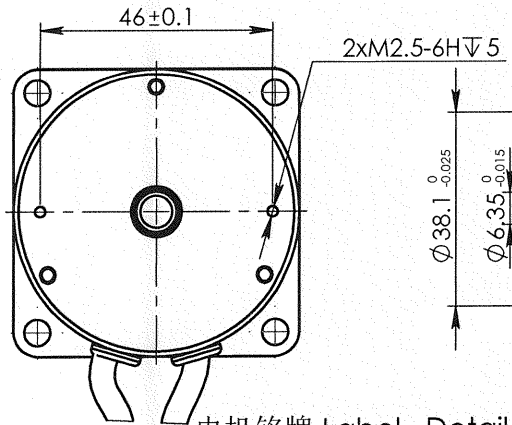
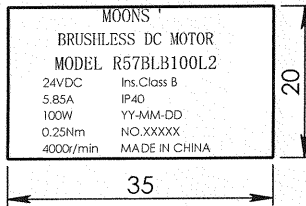


4611130001035

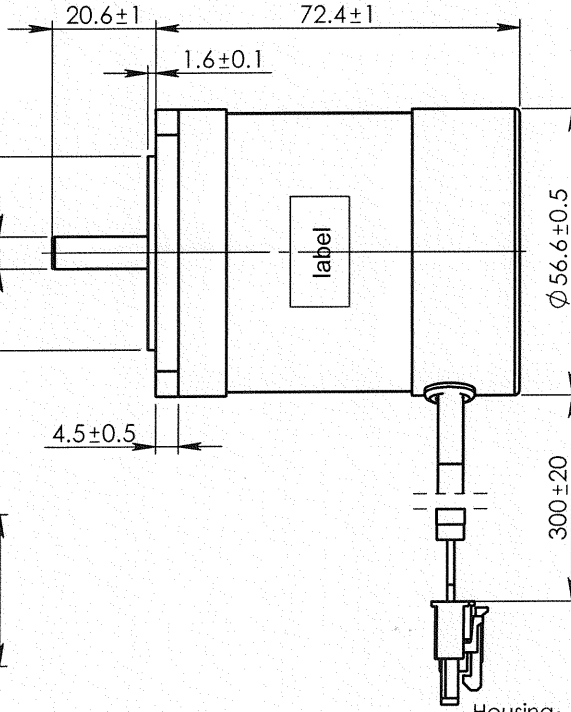


电机铭牌 Label Detail

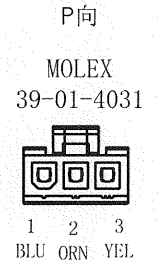
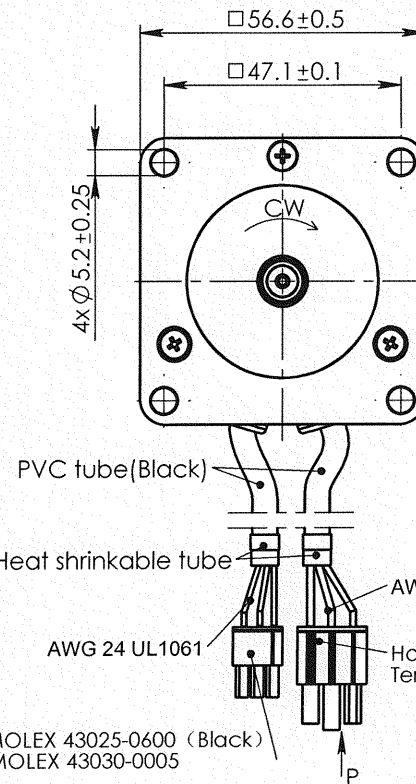
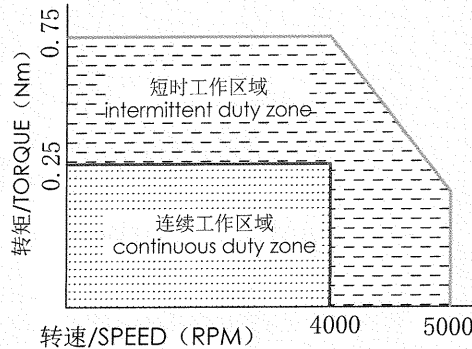


规格 Specifications

1	额定电压/Rated power supply	24	VDC
2	额定输出功率/Rated output power	100	W
3	极数/poles	4	
4	相数/Phase	3	
5	额定转速/Rated rotational speed	4000	RPM
6	最大转速/Maximum speed	5000	RPM
7	额定转矩/Rated torque	0.25	Nm
8	额定电流/Rated winding current	5.85	A
9	线反电势系数/Voltage constant±10%	5.1	Vrms/krpm
10	惯量/Moment of inertia	1.6x10 ⁻⁵	kgm ²
11	线电阻Ph/ph resistance±0.1Ω at 20°C	0.32	Ω
12	线电感Ph/ph inductance±30% at 1KHz 20°C	0.68	mH
13	电机质量/Motor mass	0.7	kg
14	绝缘等级/Insulation class	B	130°C
15	防护等级/Protective enclosure rating	IP40	

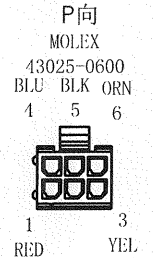
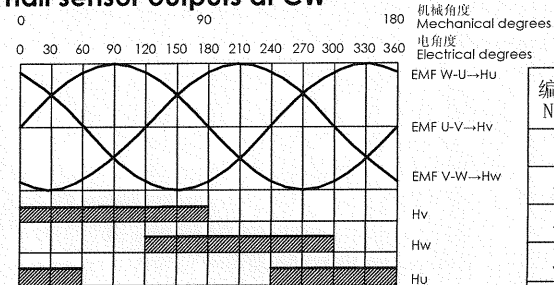


转矩-转速特性 Torque-speed specifications



编号 NO.	线色 COLOR	定义 FUNCTION
1	蓝/blue	W
2	橙/orange	U
3	黄/yellow	V

线反电势与霍尔相位关系图 (顺时针) Relation between phase EMF's and hall sensor outputs at CW



编号 NO.	线色 COLOR	定义 FUNCTION
1	红/red	VCC(+5V)
3	黄/yellow	Hv
4	蓝/blue	Hw
5	黑/black	GND
6	橙/orange	Hu

Unit: mm
 第一角画法 FIRST ANGLE METHOD
 未注线性与角度尺寸公差 Tolerances for linear and angular dimensions without individual tolerance indications
 GB/T 1804-m eqv ISO 2768-1 : m
 未注形状与位置尺寸公差 Geometrical tolerance for features without individual tolerance indications
 GB/T 1184-K eqv ISO 2768-2 : K

批准 Approve
 标准化 Standard
 工艺 Technology
 审核 Check
 设计 Design

MOONS'
Shanghai Moons' Electric Co., Ltd.
 BRUSHLESS DC MOTOR

This document is released for information only. Its reproduction in whole or in part or its dissemination to third parties is prohibited. All trademarks and registered trademarks appearing on this document are the property of their respective owners.

REV.	版本记录 REVISION RECORD	DATE	UNLESS OTHERWISE SPECIFIED	NAMES	SIGNATURE	DATE	Type: R57BLB100L2	Rev.A	SCALE 1:1.5	Sheet 1 of 1
------	----------------------	------	----------------------------	-------	-----------	------	-------------------	-------	-------------	--------------