

MAPX	MODIFICATION	DATE
------	--------------	------

NOTES:
 1. HOUSING: SEE NOTES,
 TERMINAL: SEE NOTES,
 SHELL: SEE NOTES.

SPECIFICATION:

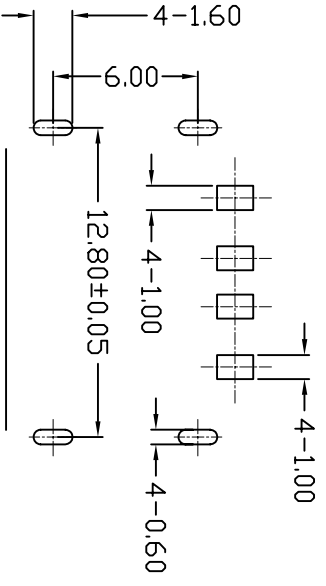
1. ELECTRICAL CHARACTERISTIC:
 CONTACT RESISTANCE: 30MΩ MAX
 DIELECTRIC WITHSTANDING VOLTAGE: 500V AC FOR 1MIN
 INSULATION RESISTANCE: 1000MΩ MIN

2. MECHANICAL CHARACTERISTIC:
 INSERTION FORCE: 35N(3.57KGF) MAX
 EXTRACTION FORCE: 10~35N(1.02~3.57KGF)MIN
 DURABILITY: 1500 CYCLES EXTRACTION FORCE:10~35N
 5000 CYCLES MIN
 5000 CYCLES EXTRACTION FORCE:3~35N

3. ENVIRONMENTAL:
 OPERATING TEMPERATURE: -55°C+85°C

4. Contact finish:

- 01:Selective Gold Flash
- 02:Selective Gold 3U"
- 03:Selective Gold 5U"
- 04:Selective Gold 15U"
- 05:Selective Gold 30U"



FRONT EDGE OF CONNECTOR
 PCB LAYOUT (T=1.60mm)

深圳市精拓金电子有限公司

产品图

PRODUCT CHART DWG

公差一览表

TOLERANCE	UNLESS OTHERWISE
X	±0.15
X	±0.10
XX	±0.05
XXX	±0.03

单位	MM	制图	Z-Y-B	制图料号	JTY-USB-10.6-001
比例	1:1	审核		产品名称	USB A/F 10.6有边四脚鱼叉(方弹)
日期	2012.09.24	核准		PRODUCT NO	
DATE		APRD		角法	版本
				VIEW	VER
					AD