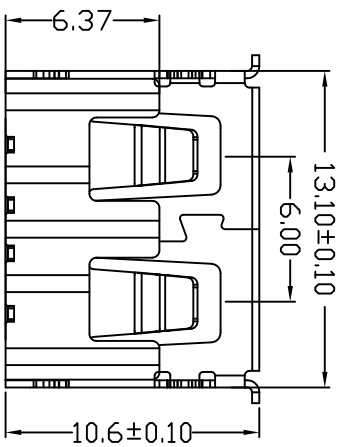
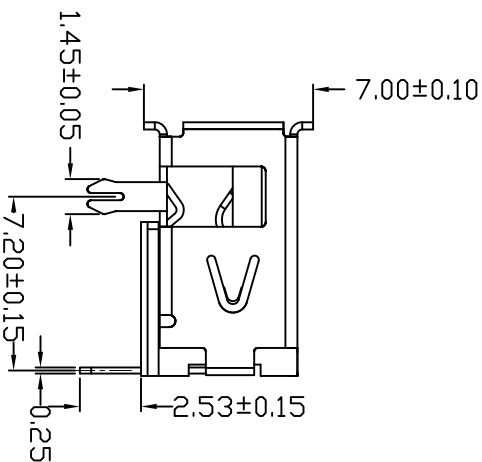
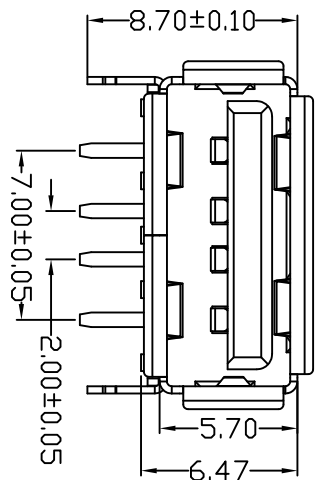
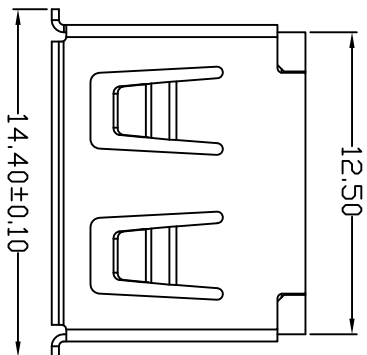


D款, 正向10.6前两脚, DIP-*6.50



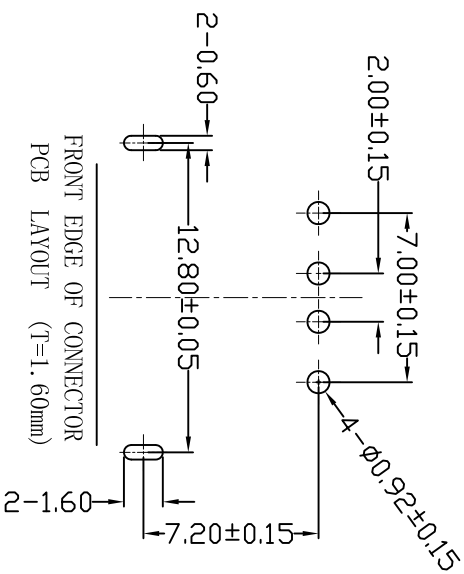
MAPX	MODIFICATION	DATE
------	--------------	------

NOTES:
 1. HOUSING: SEE NOTES, UJ94V-0.
 TERMINAL: SEE NOTES.
 SHELL: SEE NOTES.

SPECIFICATION:
 1. ELECTRICAL CHARACTERISTIC:
 CONTACT RESISTANCE: 30MΩ MAX
 DIELECTRIC WITHSTANDING VOLTAGE: 500V AC FOR 1MIN
 INSULATION RESISTANCE: 1000MΩ MIN
 2. MECHANICAL CHARACTERISTIC:
 INSERTION FORCE: 35N(3.57KGf) MAX
 EXTRACTION FORCE: 10~35N(1.02~3.57KGf) MIN
 DURABILITY: 1500 CYCLES EXTRACTION FORCE: 10~35N
 5000 CYCLES MIN

3. ENVIRONMENTAL:
 OPERATING TEMPERATURE: -55°C~+85°C
 4. Contact finish:

- 01: Selective Gold Flash
- 02: Selective Gold 3U"
- 03: Selective Gold 5U"
- 04: Selective Gold 15U"
- 05: Selective Gold 30U"



深圳市精拓金电子有限公司

产品图 PRODUCT CHART DWG		公差一览表 TOLERANCE UNLESS OTHERWISE		单位 UNITS		制图 DRAWING		制图料号 PRODUCT PART NO.	
X	±0.15	X	±5°	MM	Z-Y-B	JTJ-USB-10.6-001			
X	±0.10	X	±2°	比例 SCALE	1:1	审核 CHKD		产品名称 PRODUCT NO.	
XX	±0.05	XX	±1°	日期 DATE	2012/09/24	核准 APPR		USB A/F 10.6有边前两脚鱼叉(方弹)	
XXX	±0.03	XXX	±0.5°					角法 VIEW	
								版本 VER	
								AD	

G 1 2 3 4 5 6 7 8 9 10 G

F

E

D

C

B

A