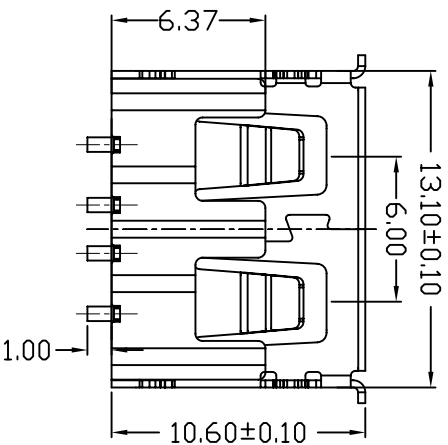
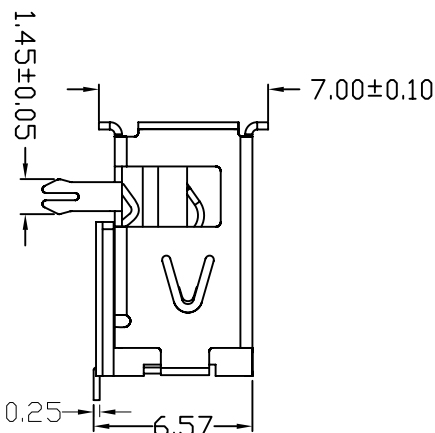
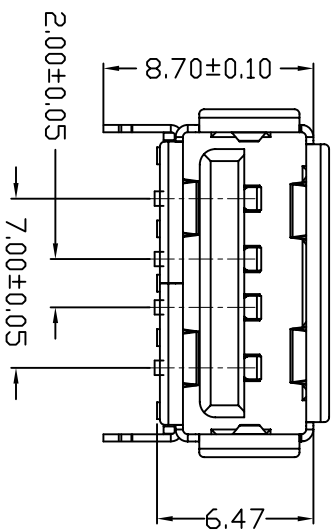
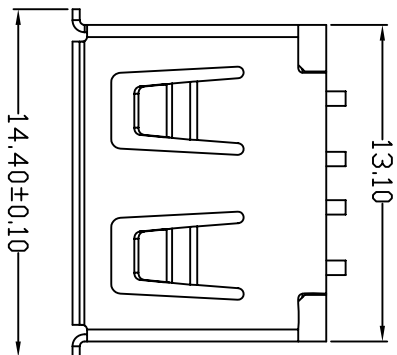


D款, 反向10.6前两脚, SMT-*6.50



MAPX	MODIFICATION	DATE
------	--------------	------

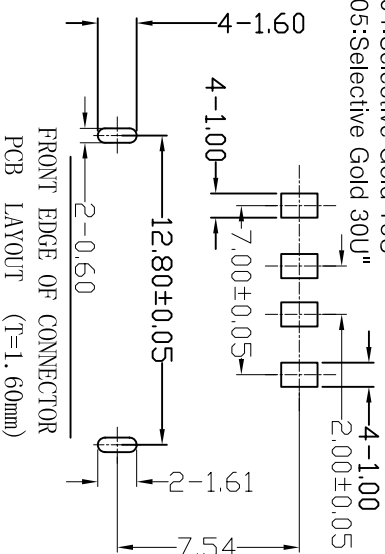
NOTES:
 1. HOUSING: SEE NOTES, UL94V-0.
 TERMINAL: SEE NOTES.
 SHELL: SEE NOTES.

SPECIFICATION:
 1. ELECTRICAL CHARACTERISTIC:
 CONTACT RESISTANCE: 30MΩ MAX
 DIELECTRIC WITHSTANDING VOLTAGE: 500V AC FOR 1MIN
 INSULATION RESISTANCE: 1000MΩ MIN
 2. MECHANICAL CHARACTERISTIC:
 INSERTION FORCE: 35N(3.57KGF) MAX
 EXTRACTION FORCE: 10~35N(1.02~3.57KGF)MIN
 DURABILITY: 1500 CYCLES EXTRACTION FORCE:10~35N
 5000 CYCLES MIN

5000 CYCLES EXTRACTION FORCE:3~35N

3. ENVIRONMENTAL:
 OPERATING TEMPERATURE: -55°C+85°C

4. Contact finish:
 01: Selective Gold Flash
 02: Selective Gold 3U"
 03: Selective Gold 5U"
 04: Selective Gold 15U"
 05: Selective Gold 30U"



深圳市精拓金电子有限公司

产品图
PRODUCT CHART DWG

公差一览表		公差一览表	
TOLERANCE	UNLESS OTHERWISE	TOLERANCE	UNLESS OTHERWISE
X	±0.15	X	±5°
X	±0.10	X	±2°
XX	±0.05	XX	±1°
XXX	±0.03	XXX	±0.5°

单位	MM	制图	Z-Y-B	制图料号	JTJ-USB-10.6-001
比例	1:1	审核		产品名称	USB A/F 10.6前边前脚鱼叉(方弹)
日期	2012/09/24	核准		PRODUCT NO	
DATE		APPRO		角法	
				版本	AD
				VER	

A B C D E F G

A B C D E F G

1 2 3 4 5 6 7 8 9 10