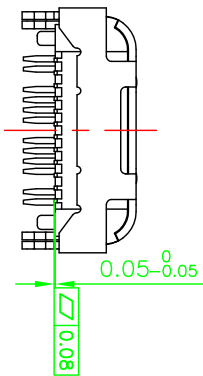
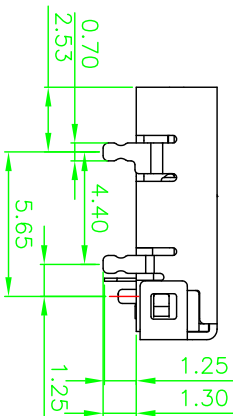
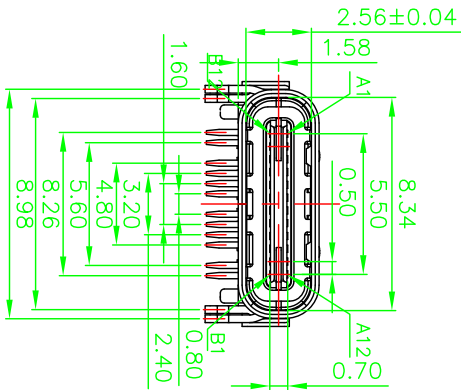
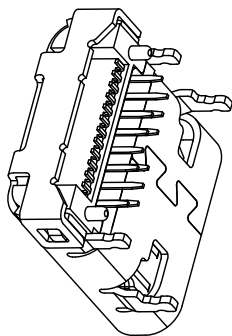
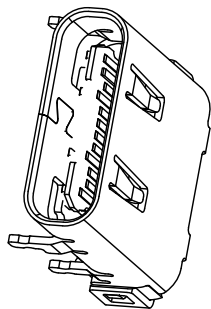
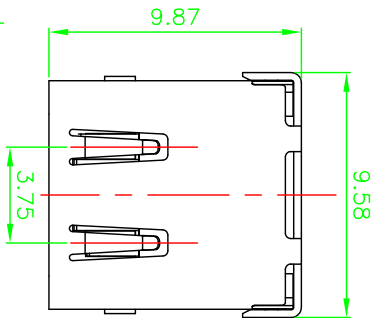
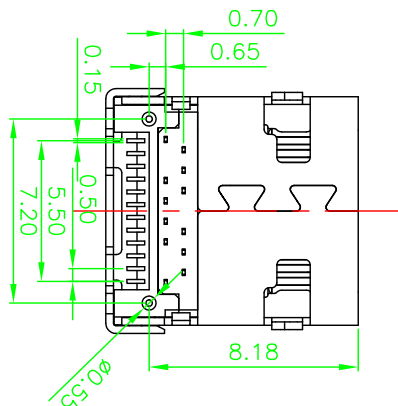


RoHS



NOTES:

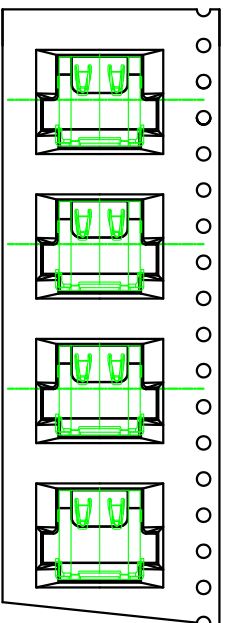
- 1. MATERIAL: LCP UL94 V-0
- MOLDING: COPPER ALLOY.
- CONTACT: COPPER ALLOY.
- GOLD PLATED Min ON CONTACT AREA 100u"
- Min TIN (LEAD FREE) ON SOLDER AREA,
- SHELL: SUS304-H1T=0.30±0.03mm
- 50u" NICKEL PLATING OVER ALL.
- SHILD: SUS304-H1T=0.12±0.03mm
- 2. MECHANICAL:
- INSERTION: 5~20N.
- EXTRACTION: 8~20N AFTER TEST.
- DURABILITY: 10000 CYCLES
- 3. ELECTRICAL:
- CURRENT: 5A FOR VBUS;
- 1.25A FOR GND PIN.
- 0.25A FOR OTHER.
- VOLTAGE: 20 V MAX
- WITHSTANDING VOLTAGE: 100V AC R.M.S.
- CONTACT RESISTANCE: 40mΩ MAX.
- INSULATION RESISTANCE: 100MΩ MIN.
- 4. ENVIRONMENTAL
- TEMPERATURE RANGE -25°C ~ +85°C



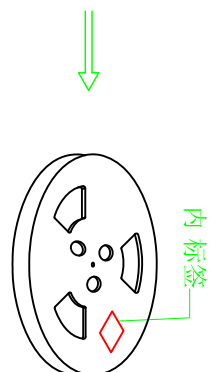
深圳市精拓金电子有限公司

DRAWN	TITLE	PART NO.	
CHECKED	USB TYPE C F DIP/SMT	//	
APPROVED	四脚插板	DRAWING NO. --	
UNIT	TOLERANCE	SCALE	SHEET
mm	.XXX±.10, .XX±.15, .X±.25, ANG±1°	1:1	1 OF 1
		SIZE	REV.
		A4	X1

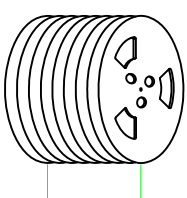
REVISIONS		DATE	ISSUED
SYML	ECON No.	MODIFICATION	



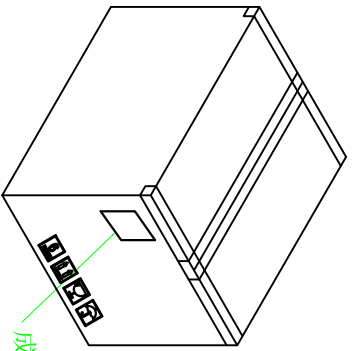
1 产品入载带示意图



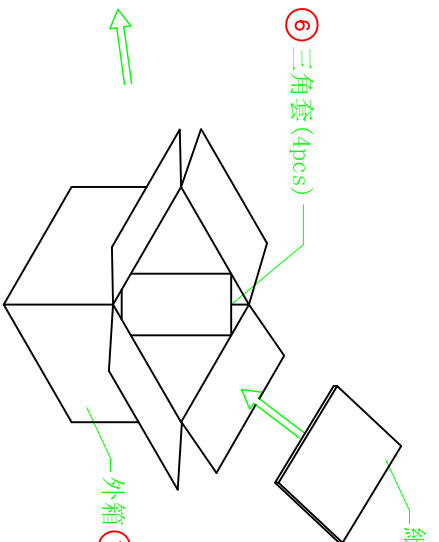
2 卷盘贴标签示意图



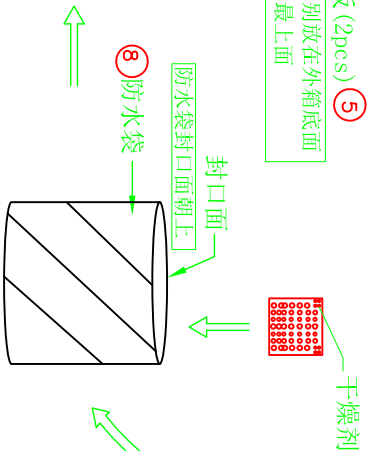
3 7盘产品叠层示意图



6 外箱封箱示意图



5 产品入外箱示意图
图四



4 7盘产品入防水袋示意图
图三

包装说明:

1. 将检验好的成品: SMT朝下放入载带底部; 每卷装1000PCS产品; 具体如图一所示
2. 将包装好的产品: 每盘必需贴上内标签; 具体如图二所示
3. 将贴好内标签的产品每8盘叠一层装入防水袋中并加一包干燥剂; 装好后将防水袋封好; 具体如图三图四所示
4. 先将1pcs平卡放入纸箱底部; 然后将装好产品的防水袋装入纸箱中; 防水袋热熔封口, 封口面需朝上; 并将4PCS三角套分别装入4个角; 如图五所示
5. 装好后将1pcs平卡放入纸箱最上面并封好纸箱及贴好相关标签; 具体如图六所示; (产品包装的标签, 如客户有要求, 请按客户要求包装出货)
6. 载带前面留30PCS空格, 后面留20PCS空格
7. COVER与CARRY剥离力: 50-125g; 速度: 300mm/分钟左右; 剥离角度: 165°-180°

DRAWN	鼎 深圳市精拓金电子有限公司		
CHECKED	TITLE		
APPROVED	USB TYPE C F DIP/SMT 四脚插板包装图		
	PART NO.	//	
	DRAWING NO.	--	
	UNIT	TOLERANCE	SCALE
	mm	.XXX±, .10, .XX±, .15, .X±, 25, ANG±1°	1:1
			SHEET
			1 OF 1
			SIZE
			A4
			REV.
			X1