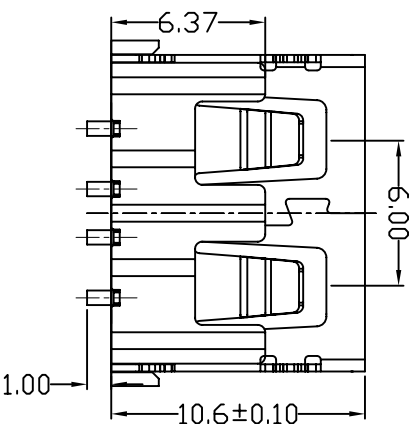
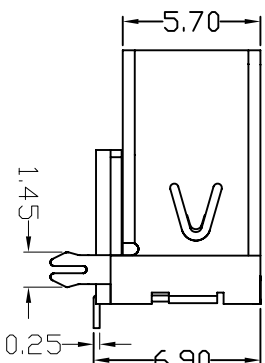
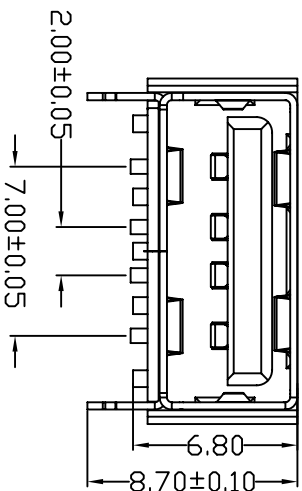
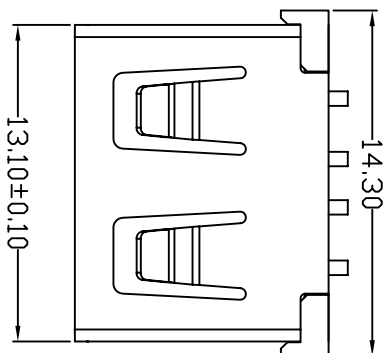


D款, 正向10.6后两脚, SMT-*6.80



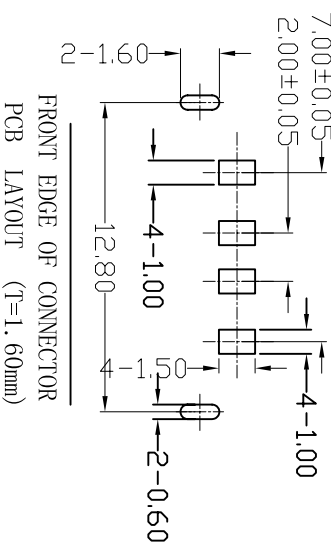
MAPX	MODIFICATION	DATE
------	--------------	------

NOTES:
 1. HOUSING: SEE NOTES, UL94V-0.
 TERMINAL: SEE NOTES.
 SHELL: SEE NOTES.

SPECIFICATION:
 1. ELECTRICAL CHARACTERISTIC:
 CONTACT RESISTANCE: 30MΩ MAX
 DIELECTRIC WITHSTANDING VOLTAGE: 500V AC FOR 1MIN
 INSULATION RESISTANCE: 1000MΩ MIN
 2. MECHANICAL CHARACTERISTIC:
 INSERTION FORCE: 35N(3.57KGF) MAX
 EXTRACTION FORCE: 10~35N(1.02~3.57KGF)MIN
 DURABILITY: 1500 CYCLES EXTRACTION FORCE:10~35N
 5000 CYCLES MIN

3. ENVIRONMENTAL:
 OPERATING TEMPERATURE: -55°C.+85°C

4. Contact finish:
 01: Selective Gold Flash
 02: Selective Gold 3U"
 03: Selective Gold 5U"
 04: Selective Gold 15U"
 05: Selective Gold 30U"



深圳市精拓金电子有限公司

产品图 PRODUCT CHART DWG 公差一览表 TOLERANCE UNLESS OTHERWISE		单位 UNITS MM	制图 DRAWING Z-Y-B	制图料号 PRODUCT PART NO. JTJ-USB-10.6-002
X	±0.15	X	±5°	日期 DATE 2012.09.24
X	±0.10	X	±2°	
XX	±0.05	XX	±1°	
XXX	±0.03	XXX	±0.5°	
		比例 SCALE 1:1	审核 CHD	版本 VER AD
		日期 DATE 2012.09.24	核准 APD	