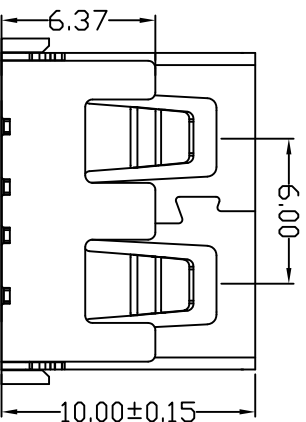
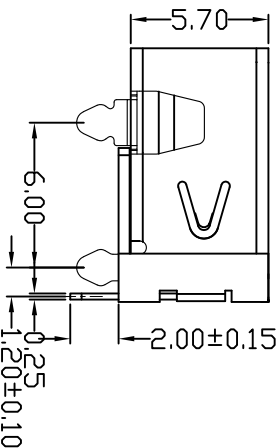
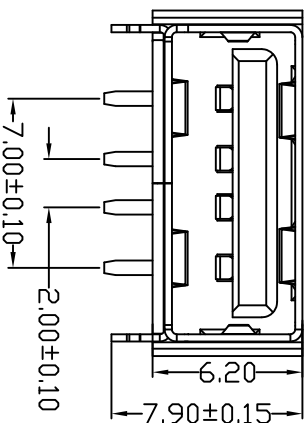
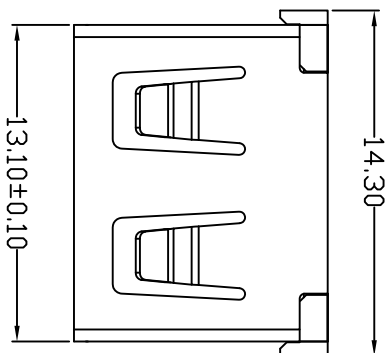


E款，正向10四脚，SMT-\*6.20



MAPX	MODIFICATION	DATE
------	--------------	------

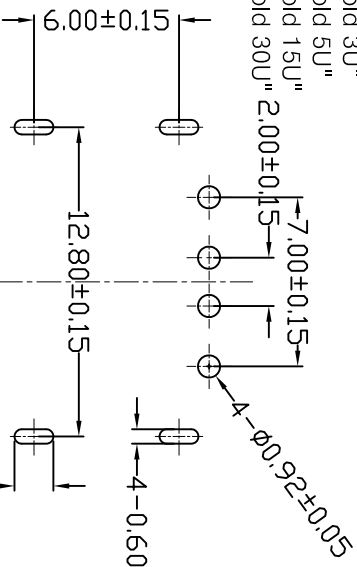
NOTES:  
 1. HOUSING: SEE NOTES, UL94V-0.  
 TERMINAL: SEE NOTES.  
 SHELL: SEE NOTES.

SPECIFICATION:  
 1. ELECTRICAL CHARACTERISTIC:  
 CONTACT RESISTANCE: 30MΩ MAX  
 DIELECTRIC WITHSTANDING VOLTAGE: 500V AC FOR 1MIN  
 INSULATION RESISTANCE: 1000MΩ MIN  
 2. MECHANICAL CHARACTERISTIC:  
 INSERTION FORCE: 35N(3.57KGf) MAX  
 EXTRACTION FORCE: 10~35N(1.02~3.57KGf)MIN  
 DURABILITY: 1500 CYCLES EXTRACTION FORCE:10~35N  
 5000 CYCLES MIN

5000 CYCLES EXTRACTION FORCE:3~35N

3. ENVIRONMENTAL:  
 OPERATING TEMPERATURE: -55°C+85°C

4. Contact finish:  
 01: Selective Gold Flash  
 02: Selective Gold 3U"  
 03: Selective Gold 5U"  
 04: Selective Gold 15U"  
 05: Selective Gold 30U" 2.00±0.15



FRONT EDGE OF CONNECTOR  
 PCB LAYOUT (T=1.60mm)

# 深圳市精拓金电子有限公司

产品图  
 PRODUCT CHART DWG

公差一览表  
 TOLERANCE UNLESS OTHERWISE

X	±0.25	X	±5°
X	±0.20	X	±2°
XX	±0.15	XX	±1°
XXX	±0.10	XXX	±0.5°

单位 UNITS	MM	制图 DRAWING	Z-Y-B	制图料号 PRODUCT PART NO.	
比例 SCALE	1:1	审核 CHKD		产品名称 PRODUCT NO.	USB A/F 10.0有边前四脚 (E款)
日期 DATE	2014.03.24	核准 APPD		角法 VIEW	
				版本 VER	AD

A  
B  
C  
D  
E  
F  
G

A  
B  
C  
D  
E  
F  
G

1 2 3 4 5 6 7 8 9 10

1 2 3 4 5 6 7 8 9 10