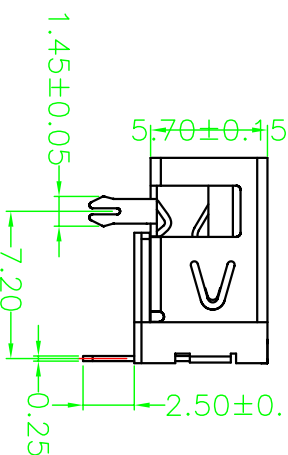
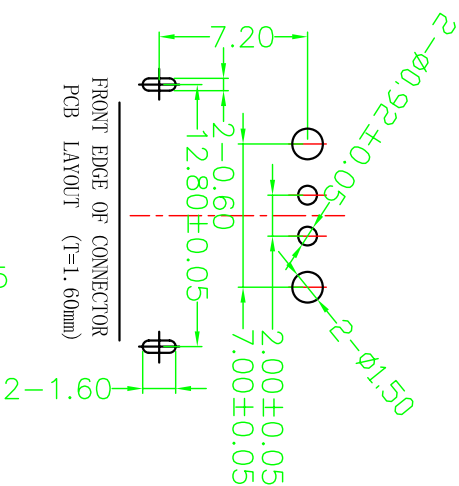
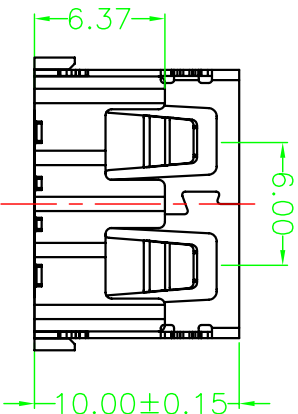
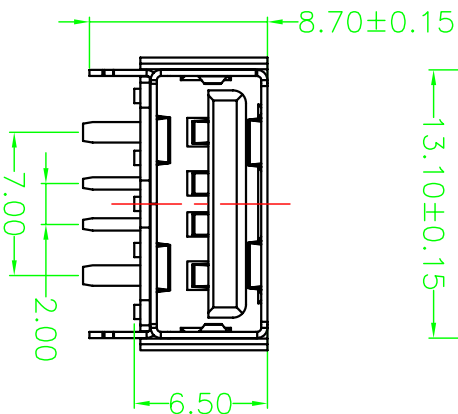
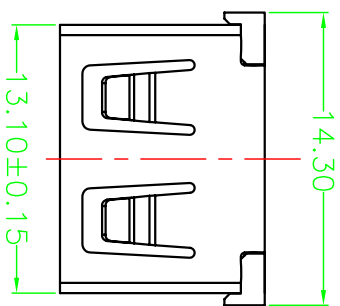


# Parts Drawing

REVISIONS

SYM	ECN No.	MODIFICATION	DATE	ISSUED



1	918-161A1012D211	1
2		2
3		3
4		4

Note:

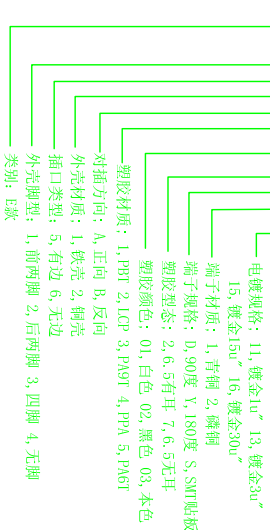
- Material:
  - Housing: High temperature thermoplastic with/black g.f, UL94v-0
  - Contact: copper alloy, t=0.25mm
  - Shell: copper/Ferroalloy alloy, t=0.30mm
- Specification:
  - Current rating: 1.5A Max.
  - Dielectric withstanding voltage: 100 V(ac) for 1 min.
  - Contact resistance: 30 mΩ Max.
  - Insulation resistance: 100 MΩ Min.
  - Total mating force: 3.57 Kgf Max.
  - Total unmating force: 1.0 Kgf Min.
- Finish:
  - Contact: Plated Golg in Mating Area: Tin On Solder Tails

4.Environmental:

- Temperature range: -55°C~85°C

PART ON:

918-15XXXXXXDX



**精拓** 深圳市精拓金电子有限公司

DRAWN		TITLE	USB AP DIP大电流前两脚	PART NO.	SEE PART ON
CHECKED		APPROVED	无边H6. 5mm	DRAWING NO.	R918161A1012D211
				SCALE	1:1
				SHEET	1 OF 1
				SIZE	A4
				REV.	X1

3rd ANGLE PRODUCTION	UNIT	TOLERANCE	SCALE
	mm	.XXX±.10, .XX±.25, .X±.38, ANG±5°	1:1