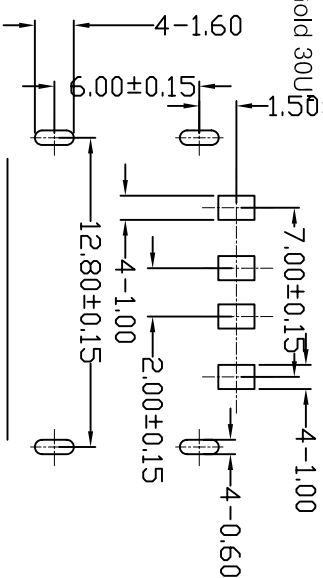
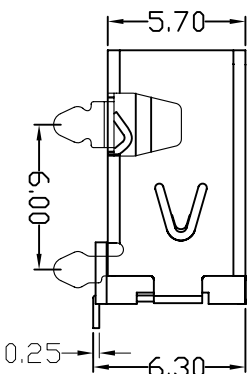
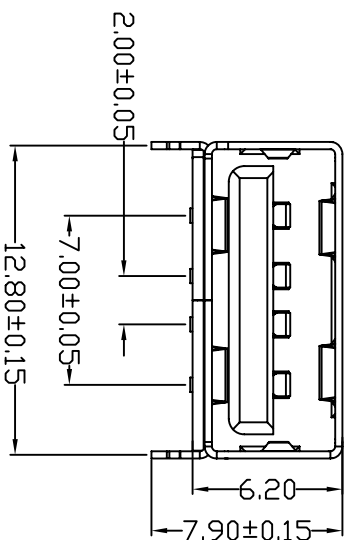
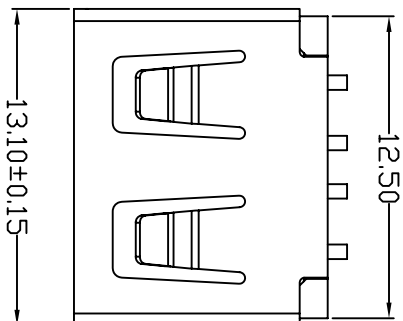
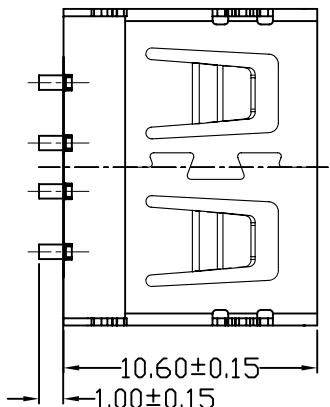


E款，反向10.6四脚，DIP-*6.20



FRONT EDGE OF CONNECTOR
PCB LAYOUT (T=1.60mm)



MAPX	MODIFICATION	DATE
------	--------------	------

NOTES:
1. HOUSING: SEE NOTES, UL94V-0.
TERMINAL: SEE NOTES.
SHELL: SEE NOTES.

SPECIFICATION:
1. ELECTRICAL CHARACTERISTIC:
CONTACT RESISTANCE: 30MΩ MAX
DIELECTRIC WITHSTANDING VOLTAGE: 500V AC FOR 1MIN
INSULATION RESISTANCE: 1000MΩ MIN
2. MECHANICAL CHARACTERISTIC:
INSERTION FORCE: 35N(3.57KGF) MAX
EXTRACTION FORCE: 10~35N(1.02~3.57KGF)MIN
DURABILITY: 1500 CYCLES EXTRACTION FORCE:10~35N
5000 CYCLES MIN

3. ENVIRONMENTAL:
OPERATING TEMPERATURE: -55°C+85°C

4. Contact finish:
01: Selective Gold Flash
02: Selective Gold 3U"
03: Selective Gold 5U"
04: Selective Gold 15U"
05: Selective Gold 30U"

深圳市精拓金电子有限公司

产品图 PRODUCT CHART DWG		公差一览表 TOLERANCE UNLESS OTHERWISE	
X	±0.25	X	±5°
X	±0.20	X	±2°
XX	±0.15	XX	±1°
XXX	±0.10	XXX	±0.5°
单位 UNITS	MM	制图 DRAWING	Z-Y-B
比例 SCALE	1:1	审核 CHKD	
日期 DATE	20150310	核准 APRD	
制料号 PRODUCT PART NO		产品名称 PRODUCT NO	USB A/F 10.6无边四脚 (E款)
角法 VIEW		版本 VER	AD