

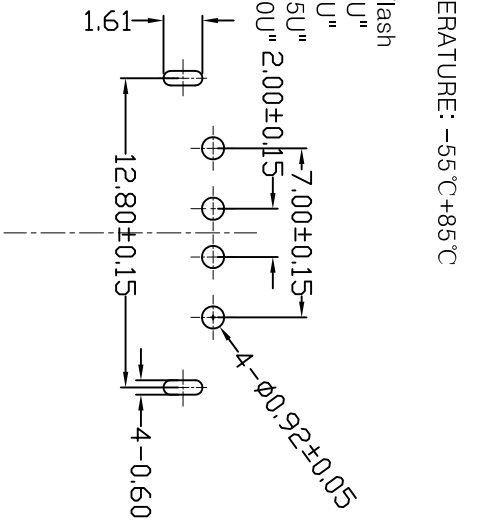
MAPX	MODIFICATION	DATE
------	--------------	------

NOTES:  
 1. HOUSING: SEE NOTES, UL94V-0 .  
 TERMINAL: SEE NOTES.  
 SHELL: SEE NOTES.

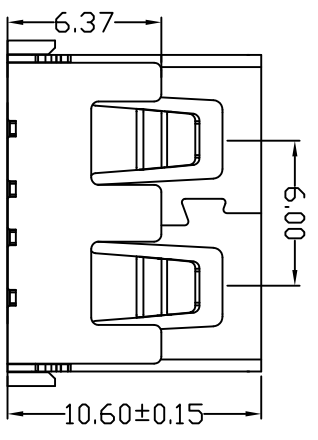
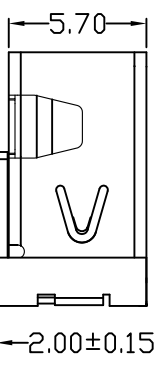
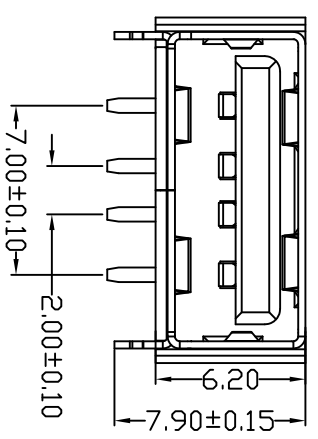
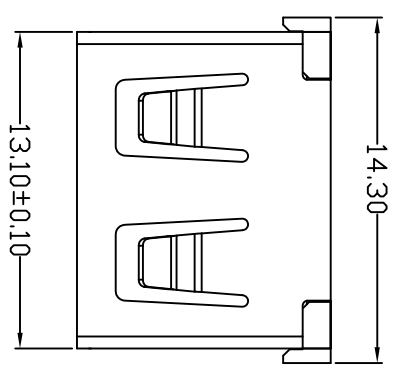
SPECIFICATION:  
 1. ELECTRICAL CHARACTERISTIC:  
 CONTACT RESISTANCE: 30MΩ MAX  
 DIELECTRIC WITHSTANDING VOLTAGE: 500V AC FOR 1MIN  
 INSULATION RESISTANCE: 1000MΩ MIN  
 2. MECHANICAL CHARACTERISTIC:  
 INSERTION FORCE: 35N(3.57KGF) MAX  
 EXTRACTION FORCE: 10~35N(1.02~3.57KGF)MIN  
 DURABILITY: 1500 CYCLES EXTRACTION FORCE:10~35N  
 5000 CYCLES MIN

3. ENVIRONMENTAL:  
 OPERATING TEMPERATURE: -55°C+85°C

4. Contact finish:  
 01: Selective Gold Flash  
 02: Selective Gold 3U"  
 03: Selective Gold 5U"  
 04: Selective Gold 15U"  
 05: Selective Gold 30U" 2.00±0.15



FRONT EDGE OF CONNECTOR  
 PCB LAYOUT (T=1.60mm)



产品图  
 公差一览表  
 PRODUCT CHART DWG  
 深圳市精拓金电子有限公司

TOLERANCE UNLESS OTHERWISE		单位	制图	制图料号
X	±0.25	MM	DRAWING	Z-Y-B
X	±0.20	SCALE	审核	产品名称
XX	±0.15	DATE	CHKD	PRODUCT NO
XXX	±0.10	DATE	APPD	角法
				VER
				版本
				AD

1 2 3 4 5 6 7 8 9 10  
 G F E D C B A  
 G F E D C B A