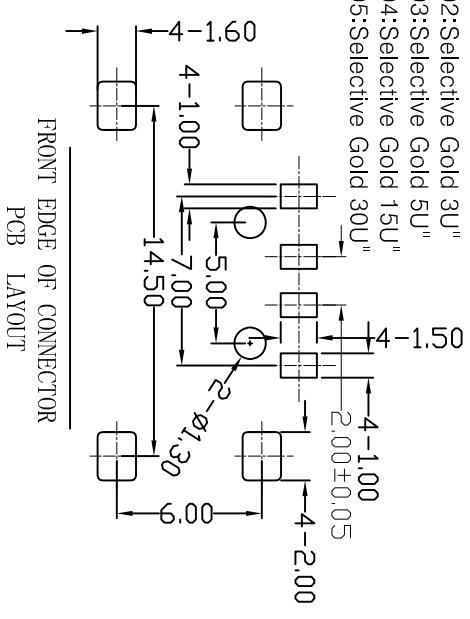
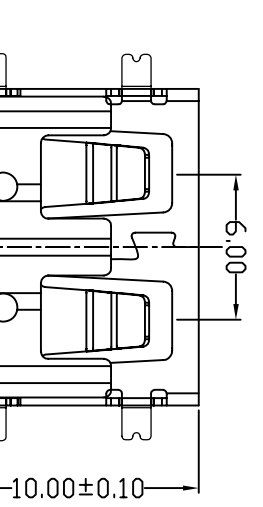
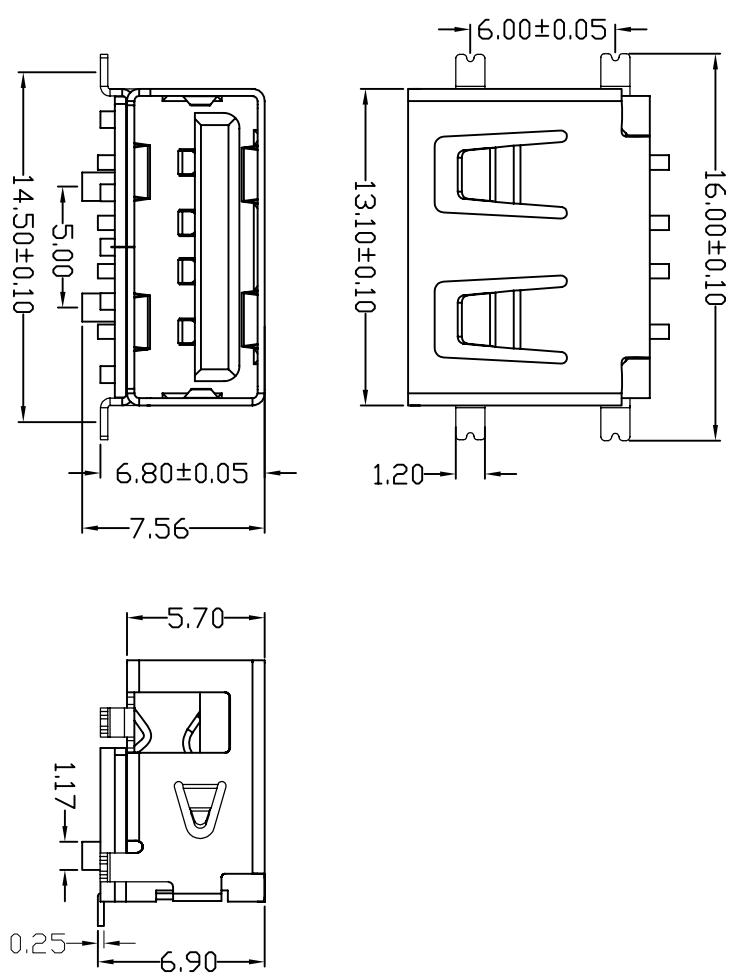


MAPX	MODIFICATION	DATE
------	--------------	------

NOTES:  
 1. HOUSING: SEE NOTES, UL94V-0.  
 TERMINAL: SEE NOTES.  
 SHELL: SEE NOTES.

SPECIFICATION:  
 1. ELECTRICAL CHARACTERISTIC:  
 CONTACT RESISTANCE: 30MΩ MAX  
 DIELECTRIC WITHSTANDING VOLTAGE: 500V AC FOR 1MIN  
 INSULATION RESISTANCE: 1000MΩ MIN  
 2. MECHANICAL CHARACTERISTIC:  
 INSERTION FORCE: 35N(3.57KGf) MAX  
 EXTRACTION FORCE: 10~35N(1.02~3.57KGf)MIN  
 DURABILITY: 1500 CYCLES EXTRACTION FORCE:10~35N  
 5000 CYCLES MIN

3. ENVIRONMENTAL:  
 OPERATING TEMPERATURE: -55 °C+85 °C  
 4. Contact finish:  
 01: Selective Gold Flash  
 02: Selective Gold 3U"  
 03: Selective Gold 5U"  
 04: Selective Gold 15U"  
 05: Selective Gold 30U"



FRONT EDGE OF CONNECTOR  
PCB LAYOUT

产品图  
PRODUCT CHART DWG

深圳市精拓金电子有限公司

公差一览表		单位		制图		制图料号	
TOLERANCE UNLESS OTHERWISE	公差	UNITS	MM	DRAWING	Z-Y-B	PRODUCT PART NO.	JTY-USB-10.0/SMT-004
X ±0.15	X	X ±5°		审核		产品名称	USB A/F 10.0无边四脚鱼叉SMT (方弹)
X ±0.10	X	X ±2°	比例	CHD		PRODUCT NO.	
XX ±0.05	XX	X ±1°	日期	核准		角注	
XXX ±0.03	XXX	X ±0.5°	DATE	APD		VER	版本
			2013/04/24				AD

G 1 2 3 4 5 6 7 8 9 10 G

F

E

D

C

B

A