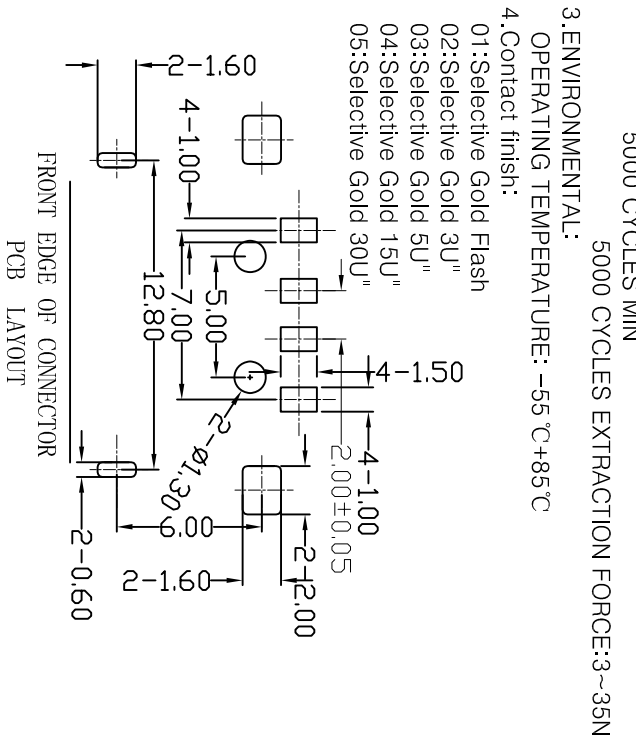
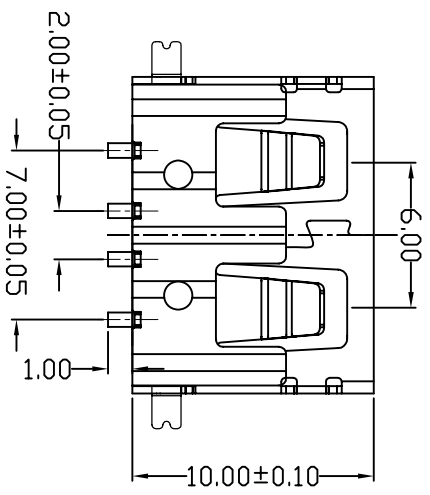
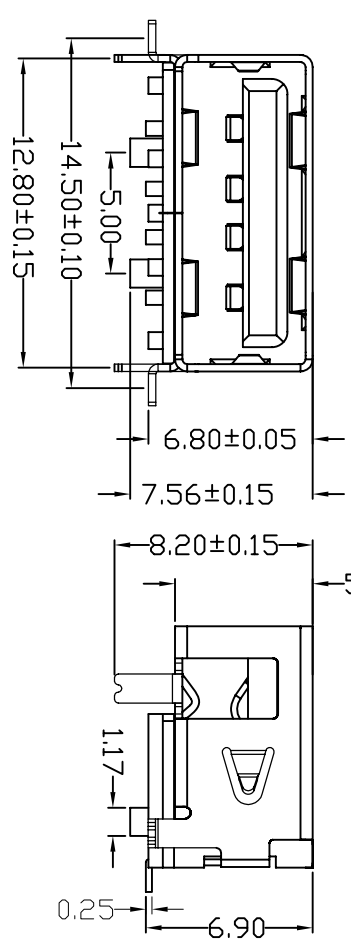
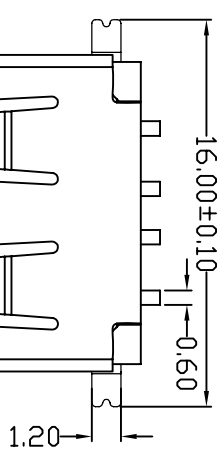


正向10.0前插后贴/6.80

MAPX	MODIFICATION	DATE



NOTES:
 1. HOUSING: SEE NOTES, UL94V-0 .
 TERMINAL: SEE NOTES.
 SHELL: SEE NOTES.
 SPECIFICATION:
 1. ELECTRICAL CHARACTERISTIC:
 CONTACT RESISTANCE: 30MΩ MAX
 DIELECTRIC WITHSTANDING VOLTAGE: 500V AC FOR 1MIN
 INSULATION RESISTANCE: 1000MΩ MIN
 2. MECHANICAL CHARACTERISTIC:
 INSERTION FORCE: 35N(3.57KGf) MAX
 EXTRACTION FORCE: 10~35N(1.02~3.57KGf)MIN
 DURABILITY: 1500 CYCLES EXTRACTION FORCE:10~35N
 5000 CYCLES MIN
 3. ENVIRONMENTAL:
 OPERATING TEMPERATURE: -55 °C+85°C
 4. Contact finish:
 01: Selective Gold Flash
 02: Selective Gold 3U"
 03: Selective Gold 5U"
 04: Selective Gold 15U"
 05: Selective Gold 30U"

深圳市精拓金电子有限公司

公差一览表		制图		制图料号	
TOLERANCE UNLESS OTHERWISE	公差	DRAWING	审核	PRODUCT PART NO	产品名称
X ±0.25	X ±5°	XXX	XXX	JTY-USB-10.0/SMT-002	USB A/F 10.0前插后贴(方弹)
X ±0.20	X ±2°				
XX ±0.15	XX ±1°				
XXX ±0.10	XXX ±0.5°				
		日期	日期	角注	版本
		2013/04/24			

