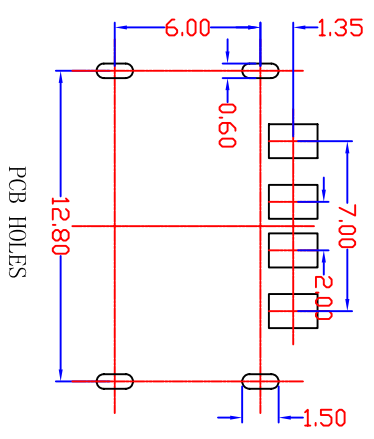
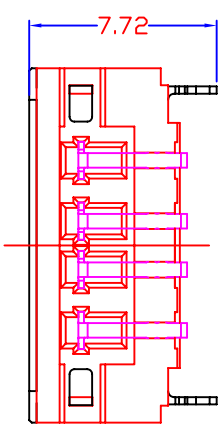
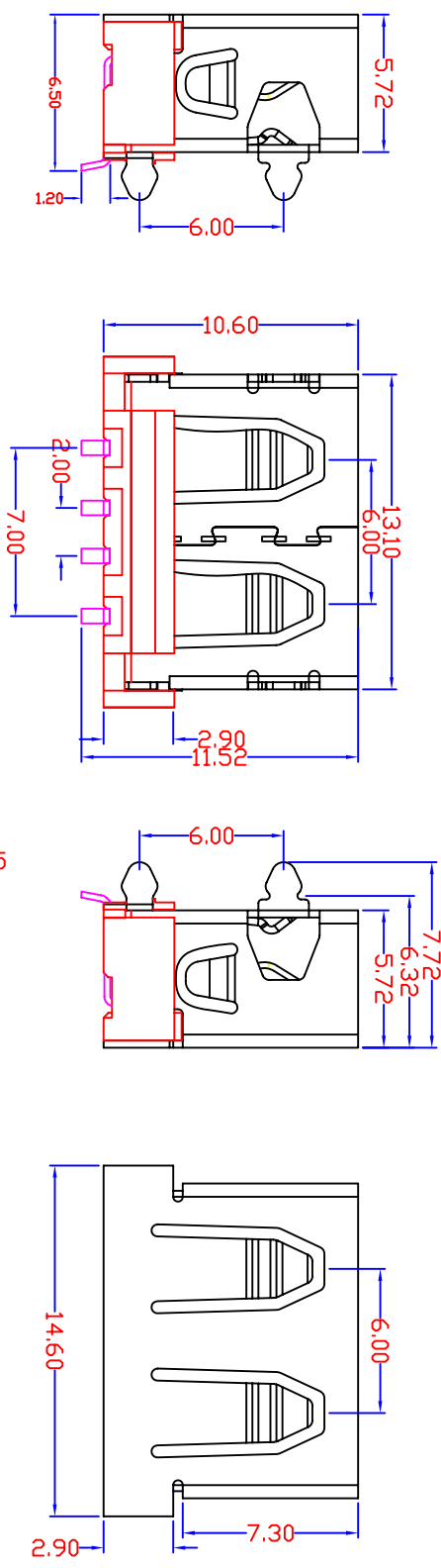
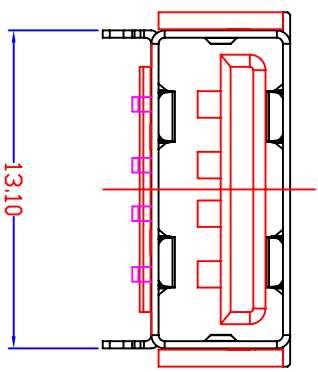


MAPX	MODIFICATION	DATE
------	--------------	------



Specification:

1. Electrical Characteristics:
 Dielectric Withstanding Voltage: AC 500V/1MINUTE.
 Insulation Resistance: 1000 MΩ/Min.
 Contact Resistance: 30 mΩ Max.

2. Mechanical Characteristics:
 INSERTION FORCE: 30N(3.06kgf) MAX
 EXTRACTION FORCE: 10~30N(1.02~3.06kgf)
 DURABILITY: 1500cycles, EXTRACTION FORCE: 10~30N(1.02~3.06kgf)

3. Material:
 Terminal: Phosphor Bronze, C2680R-H T=0.25
 Plating: Gold 0.76 um Min plating over 1.27 um Min Nickel underplate, 2.54 um Min Sn selective plating on solder tail;
 Shell: Phosphor Bronze, C5191R-H T=0.30mm
 Plating: Nickel underplate 2.54 um Min;
 Housing: 无卤LCP Black; UL94V-0

4. Environmental:
 Operating Temperature: 0°C to +85°C.

产品图
 PRODUCT CHART DWG
 公差一览表
 TOLERANCE UNLESS OTHERWISE

深圳市精拓金电子有限公司

公差一览表	单位	制图	制图料号
X ±0.15	MM	DRAWING	PRODUCT PART NO.
X ±5°		审核	产品名称
X ±0.10	1:1	CHKD	PRODUCT NO.
XX ±0.05		核准	角法
XXX ±0.03		APRD	版本
	DATE		VER
	20110902		AD

G 1 2 3 4 5 6 7 8 9 10 G

F

E

D

C

B

A