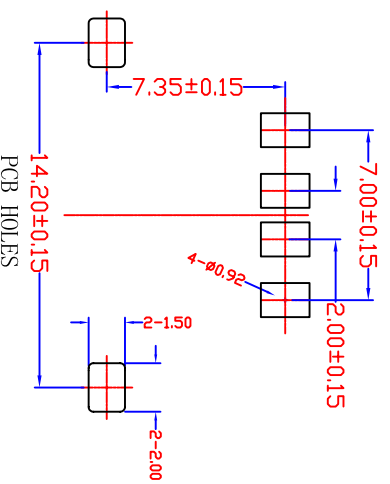
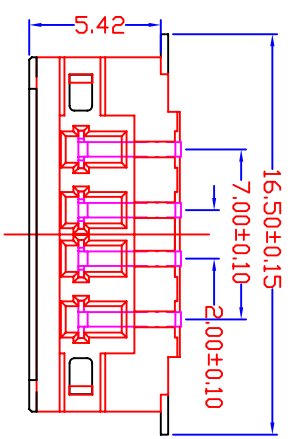
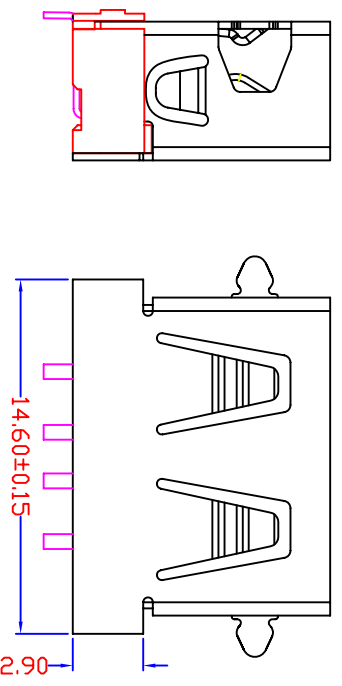
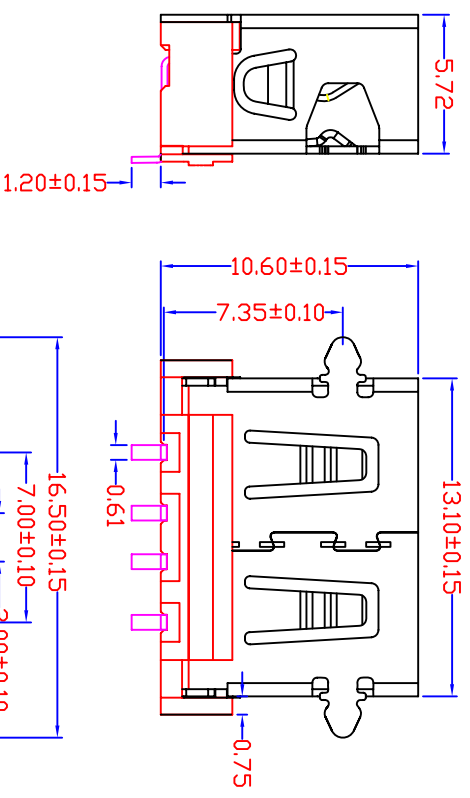
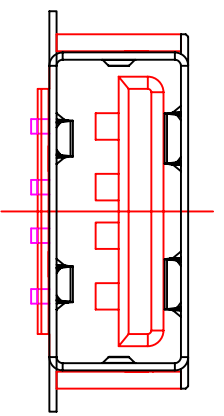


MAPX	MODIFICATION	DATE
------	--------------	------



Specification:

1. Electrical Characteristics:
 Dielectric Withstanding Voltage: AC 500V/1MINUTE.
 Insulation Resistance: 1000 MΩ/Min.
 Contact Resistance: 30 mΩ Max.

2. Mechanical Characteristics:
 INSERTION FORCE: 30N(3.06kgf) MAX
 EXTRACTION FORCE: 10~30N(1.02~3.06Kgf)
 Durability: 1500cycles, EXTRACTION FORCE: 10~30N(1.02~3.06Kgf)

3. Material:
 Terminal: Phosphor Bronze, C5191/C2680R-EH T=0.25
 Plating: Gold 0.76 um Min plating over 1.27 um Min Nickel underplate, 2.54 um Min Sn selective plating on solder tail;
 Shell: Bronze, C2680R-H=0.30mm
 Plating: Nickel underplate 2.54 um Min;
 Housing: LCP Black

4. Environmental:
 Operating Temperature: 0°C to +85°C.

产品图
PRODUCT CHART DWG

深圳市精拓金电子有限公司

公差一览表		单位	MM	制图	Z-Y-B	制图料号
TOLERANCE UNLESS OTHERWISE		UNITS		DRAWING		PRODUCT PART NO.
X ±0.25	X ±5°	SCALE	1:1	审核		产品名称
X ±0.20	X ±2°	DATE	2014.03.28	核准		PRODUCT NO.
XX ±0.15	XX ±1°			APPD		USB A/F 苹果SMT短体前两脚 (大小弹片)
XXX ±0.05	XXX ±0.5°					角法
						版本
						AD