

MAPX	MODIFICATION	DATE
------	--------------	------

NOTE:
1. Material:

Housing: Thermoplastics, UL94V-0 (ROHS, HF)
Contact: Phosphor Bronze C5191-EH/C2680-EH, T=0.25mm
Shell: COPPER ALLOY T=0.30mm

2. FINISH:
Contact: 15u" Gold Plated on Contact Area,
80u" Min. Tin Plated on Solder Area,
50u" Min. Nickel Underplating Over All.
Shell: 50u" Min. Nickel Underplating Over All.

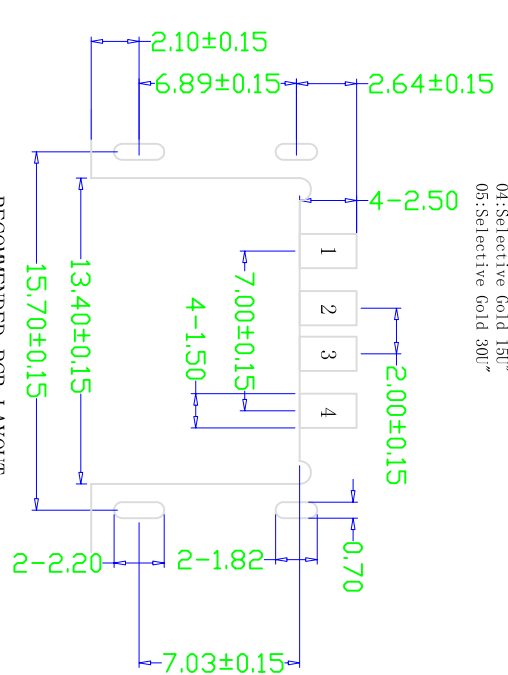
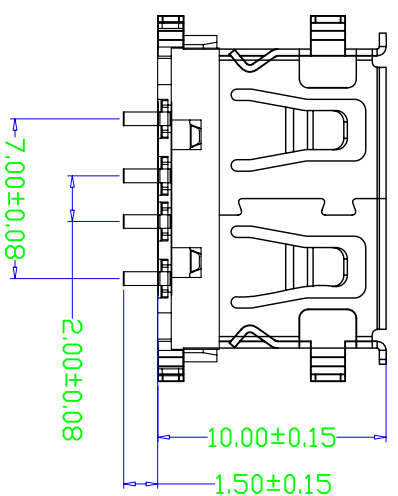
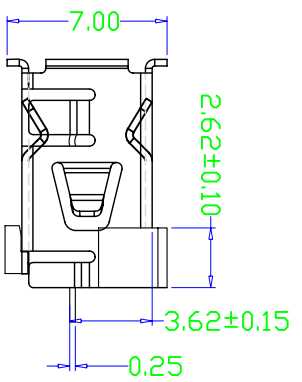
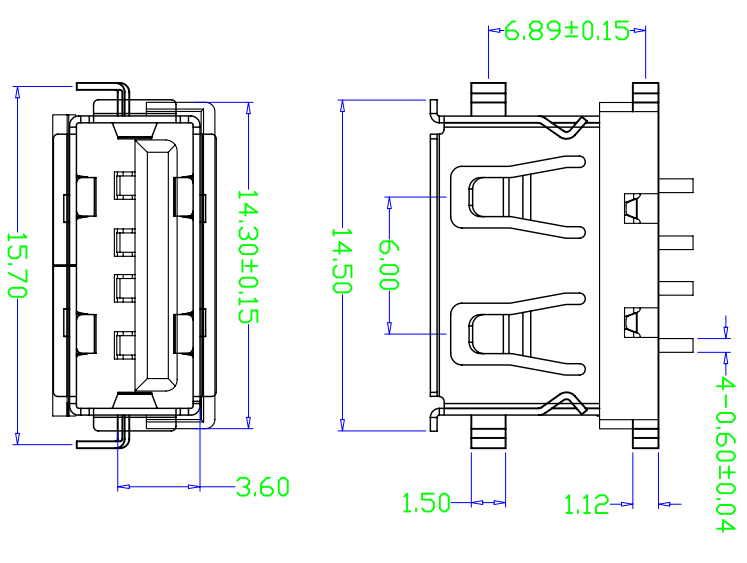
3. Specification:
3.1: Rating:
Rated voltage 500V AC/DC. Rated current: 2 A Max.

3.2: Electrical:
Insulation Resistance(EIA-364-21):
1000MΩ Min. at 500V/DC for 1minute.
Contract Resistance(EIA-364-23):
30 mΩ Max. at 20mV Max, 50mA

Dielectric Withstanding Voltage(EIA-364-20):
No discharge, Flashover or breakdown at 500V/AC 1Minute

4. Plug extraction force shall be between 1.0kgf and 2.00kgf

5. Contract finish:
01:Selective Gold Flash
02:Selective Gold 3u"
03:Selective Gold 5u"
04:Selective Gold 15u"
05:Selective Gold 30u"



RECOMMENDED PCB LAYOUT
GENERAL TOLERANCES: ±0.05

产品图

深圳市精拓金电子有限公司

公差一览表		单位	MM	制图	Z-Y-B	制图料号	905-662A203S1200
TOLERANCE UNLESS OTHERWISE	OTHERWISE	UNITS		DRAWING		PRODUCT PART NO.	
X	±0.15	X	±5°	审核		产品名称	USB A/F 10.0 有边四脚沉板
X	±0.10	X	±2°	CHKD		PRODUCT NO.	
XX	±0.05	XX	±1°	核准		角法	
XXX	±0.03	XXX	±0.5°	APPR		VER	AD
DATE	2014.11.1						